

1 Inch Interchangeable Ho Module

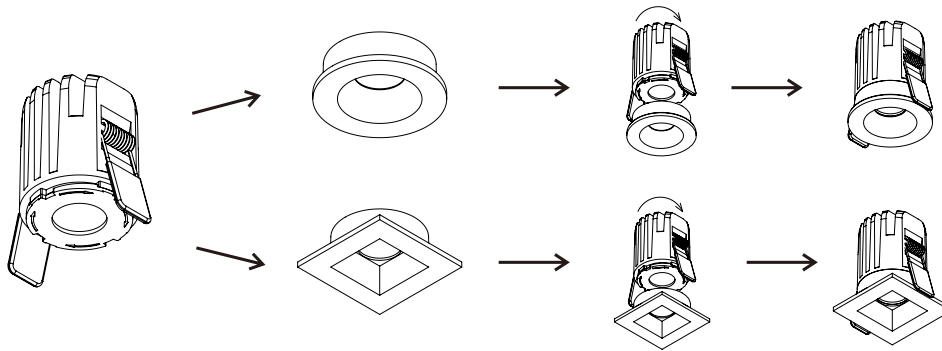
Installation Instructions

- ⓘ IMPORTANT** Read all instructions before installing plate. Retain for future reference.
- ⚠ SAFETY:** Turn the power at off main fuse/breaker panel before attempting any electrical work. This luminaire must be wired in accordance with local electrical codes and ordinances. Grounding connections should be done in the detachable junction box.
- ⚠ WARNING:** Make sure the power is OFF from the electrical panel before starting or installation attempting any maintenance.

DRIVER	Model	G-48468
	Input	120V-277VAC, 50/60Hz
	Output	33-38V DC 350MA
	Lamp Life	50000 Hours
	Operating Temperature	-40°C to +40°C
	Dimming	Triac Dimming(120V AC Input Only) 0-10V Dimming(120V-277V AC Input)
LIGHT	Energy used	15W
	Luminous Flux	1100LM
	Equivalent to:	120W halogen
	CCT Options	27K-30K-35K-40K-50K
	Beam Angle	40 Degree
	CRI	Ra>90
	Approved Location	Wet
MOUNTING	Wire Space	4.8 Cubic inch
	OD	2.24" (57mm)
	ID	1.26" (32mm)
	Thickness	3.94" (100mm)
	Cut Out	2" (51mm)

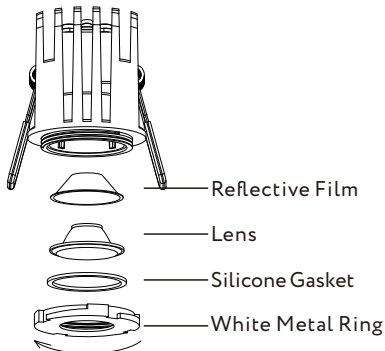
Brand	Family	Model	Load (W)	G-48468	
LUTRON	Skylark Contour	LECL-153P	150W	1-21	
		CTCL-150H	150W	1-21	
		LGCL-153PLH	150W	1-21	
		CTCL-153P	150W	1-21	
		SCL-153P	150W	1-21	
		S-600P	600W	1-28	
	Caseta	PD-6WCL	600W	1-28	
		PD-5NE	150W	1-21	
		PD-10NXD	250W	1-28	
		DIVA	DVCL-153P	150W	1-21
		Toggler	TGCL-153P	150W	1-21
		Ariadni	AYCL-153P	150W	1-21
	Maestro	MACL-153M	150W	1-21	
LEVITON	Illumatech	IPL06	150W	1-21	
	SureSlide	6672	150W	1-21	
EATON	Smart Dimmer	AAL06	600W	1-28	

Fixture Assembly



Changing Different Beam Angle Lens

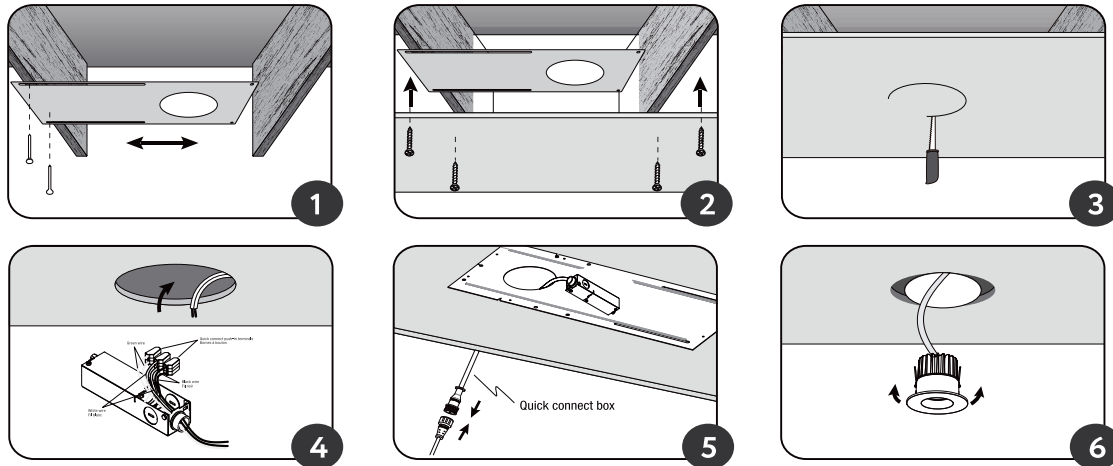
(Remark: The default lens' beam angle is 40degree, other beam angle lens are not included)



1. Twist the white metal ring anticlockwise and take out the default lens.
2. Install your target beam angle lens back to the module and make sure other parts on their original position.
3. Twist the white metal ring clockwise to fixing the lens well.

Installation

1. Nail-in the mounting plate to the ceiling joist. Measure the position of the opening on the mounting plate from each wall. (Fig.1)
2. Install the drywall on to the ceiling. (Fig.2)
3. Cut-out a circle where the mounting plate opening is located. (Fig.3)
4. Pull the supply wire through the cut-out hole. Do the electrical supply connection in the detachable junction box (Note: A licensed electrician must do the connections as per the local electrical code). Insert the junction box into the ceiling. (Fig.4)
5. Do the connection to the luminaire and close the quick connect box. (Fig.5)
6. **New construction applications:** Hardwire box shall be firmly secured to studs, joists, or similar fixed structural units
7. **Remodel applications:** Do not require the hardwire box to be firmly secured after the mounting plates, studs, joists, or structural units that have been concealed. Snap off the hardwire box tabs then insert into ceiling FIG 4
8. Push the spring clips upwards and push the luminaire into the cut hole of the ceiling. Release the spring clips and align the luminaire to sit properly over the ceiling cut hole. (Fig.6)
9. Switch on the supply breaker and turn on the luminaire.



Triac DIMMING (120V only): We recommend LED/CFL dimmers that have a low range adjustment dial. After all fixtures are connected to the dimmer, adjust the dial to the lowest position before the lights start to flicker or shut down. This setting depends on the local voltage and number of fixtures per dimmer. For a typical LED dimmer rated for 150W LED load the maximum number of fixtures per dimmer.

0-10V DIMMING (120-277V AC): The dimming control wires are Grey/Pink wire (dim-) and Purple wire (dim+). Please connect the 0-10V dimmer and the driver purple wire to purple wire and Grey/Pink wire to Grey/Pink wire with the supplied block.

WARNING: DO NOT USE ANY OTHER DRIVERS EXCEPT THE DRIVERS THAT ARE INCLUDED WITH THE FIXTURE. DO NOT CONNECT MULTIPLE FIXTURES TO ONE DRIVER. DO NOT OPEN THE LIGHT FIXTURE OR THE SIDE PLATES OF THE DRIVER - NO SERVICEABLE PARTS INSIDE.

MANUFACTURER'S LIMITED WARRANTY

Your Product, when delivered to you in new condition and in original packaging, is warranted against defects in materials and workmanship as follows for a period of 3 years from the date of the original purchase. Defective products returned and proven to be defective upon inspection will be repaired, replaced with a new Product or a credit will be issued against original invoice at the discretion of manufacturer.

To avoid any doubt, "the replacement Product" does not include any removal or installation costs or expenses, including without limitation labor costs or expenses, shipping costs to return defective products or any damages that may occur during the return of product. This limited warranty is subject to the following additional conditions:

1. Products must have been installed and operated in accordance with manufacturer's instructions.
2. Products have not been subjected to accident, neglect, abuse, misuse, lightning, electrical surges or acts of God.
3. The Product has been purchased directly from an authorized distributor.
4. Purchase receipt or invoice is available for inspection.
5. This warranty is limited to Products purchased for use in regions that are within jurisdiction of Canada and USA.

This device complies with part 15 of the FCC rules. Operation is subject to the following two conditions:

- (1) This device may not cause harmful interference.
- (2) This device must accept any interference received, including interference that may cause undesired operation.

THE FOREGOING WARRANTY IS EXCLUSIVE, AND THE SOLE REMEDY FOR ANY AND ALL CLAIMS. IN NO EVENT WILL THE MANUFACTURER BE LIABLE FOR ANY SPECIAL, COMPENSATORY, INDIRECT, PUNITIVE, OR INCIDENTAL OR CONSEQUENTIAL DAMAGES INCLUDING, WITHOUT LIMITATION, DAMAGES RESULTING FROM LOSS OF USE, PROFITS, BUSINESS OR GOODWILL, WHETHER OR NOT THE MANUFACTURER HAS BEEN ADVISED OF THE POSSIBILITY THEREOF.