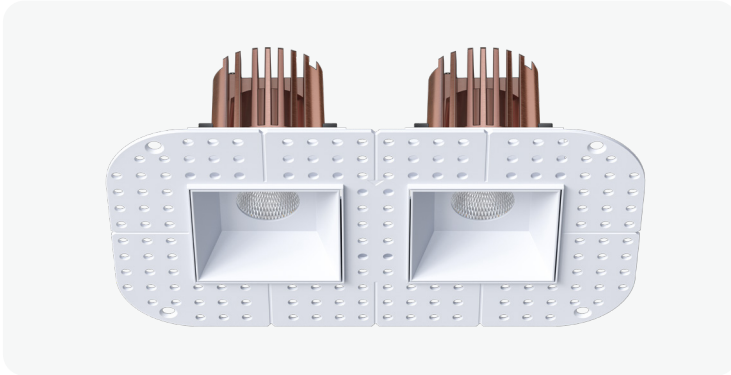
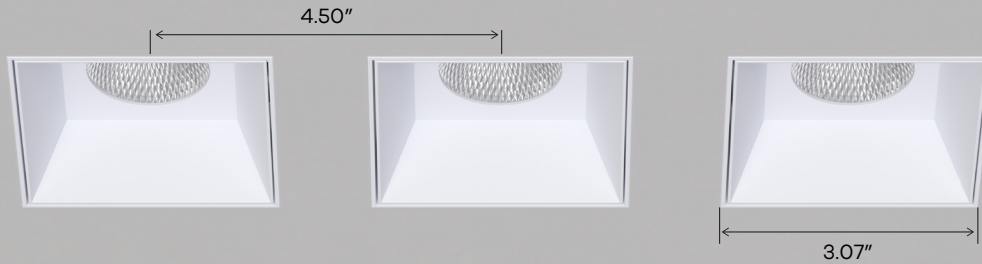


Project

Name/Address

Date



Aster Pro Square Trimless multi aperture edition delivers seamless architectural integration with an exceptional 98 CRI, 1 finishes, 4 trim styles, universal 120/277V dual-voltage capability, and multi-protocol dimming.

### Installation / Housing

- New construction / Remodel
- Flat pan Frame / Hanger bar Frame
- Driver is serviceable from below the ceiling for post installation
- Multiple Apertures

### Rating and Certifications

- Air Tight Rated
- IC Rated (Selective)
- Wet Location Rated (Module & Trim only)
- Title 24-JA8 Compliant
- ETL Listed
- FCC

### Apertures

- 1 through 4 Aperture

### Performance

Lumens	Up to 2720 Delivered Lumens
Beam angle	35°, 42°, 53° and 78° beam angle options
CRI	98+

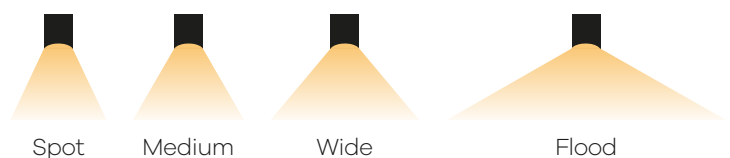
### Power Specifications

Input volts	120-277V
Output volts	33-38V
Dimming	Triac Phase / ELV / 0-10V (5%)

### Kelvin

- 2700k
- 3000k
- 3500k
- 1800K-3000k Warm Dim

### Beam Angle



### 3" Square Trimless Multi Aperture Architectural Downlight Product Builder

Order Product Number

Model	Mounting	Flange Style	Watt
AP3.OSQTLM	<b>NC</b> New construction pan <sup>1</sup>	<b>TL</b> Flangeless – Mud-in	<b>12</b> 12 Watt
	<b>NCB</b> New construction pan with bracket		<b>15</b> 15 Watt
	<b>RM</b> Remodel		<b>28</b> 28 Watt <sup>2</sup>

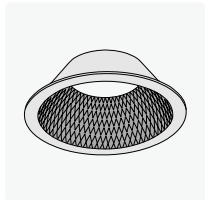
Kelvin	CRI	Optic	Beam
<b>27</b> 2700K	<b>98</b> CRI 98	<b>CL</b> Clear lens	<b>NS</b> Narrow spot 35°
<b>30</b> 3000K		<b>FR</b> Frost optic <sup>4</sup>	<b>MS</b> Medium spot 42°
<b>35</b> 3500K		<b>SIR</b> Silver reflector <sup>5</sup>	<b>WS</b> Wide spot 53°
<b>DTW</b> Warm dim (1800K - 3000K) <sup>3</sup>			<b>WFL</b> Wide flood spot 78°

Media (optional)	Aperture	Finish
<b>HC</b> Honeycomb	<b>SG</b> Single aperture	<b>WH</b> White
<b>SL</b> Solite	<b>DB</b> Double aperture	
<b>PR</b> Prismatic	<b>TP</b> Triple aperture	
<b>LR</b> Linear	<b>QD</b> Quadruple aperture	
	<b>QDCR</b> Quadruple aperture Crossed	

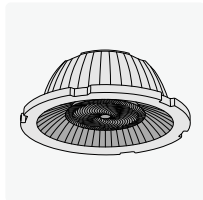
#### Notes

- \*1 Available for single aperture only
- \*2 Not IC (insulation contact) rated.
- \*3 Available at 12w or 15W only.
- \*4 Available in 78° only.
- \*5 Available in 35 or 53° only.

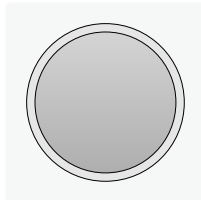
### Optic and Media



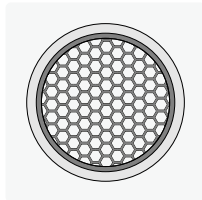
Silver reflector



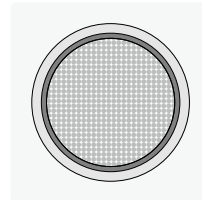
Clear lens



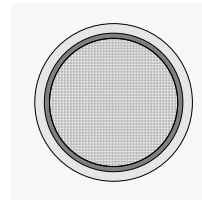
Frost optic



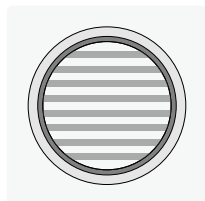
Honeycomb



Solite



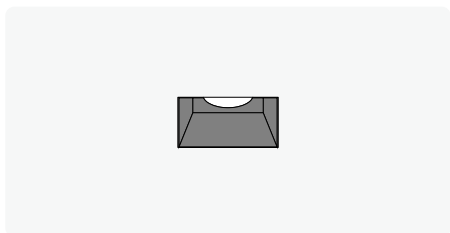
Prismatic



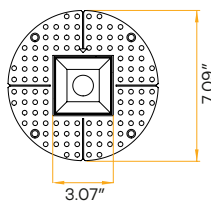
Linear

### Trim Options

Note: The aperture dimensions displayed at the single vector applies to all headed options.

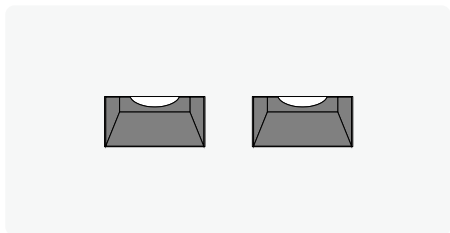
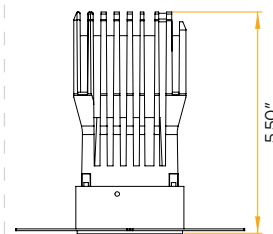
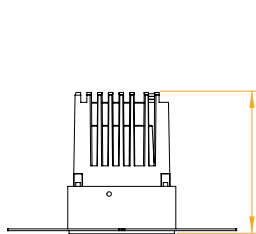


Single aperture

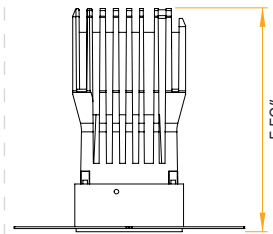
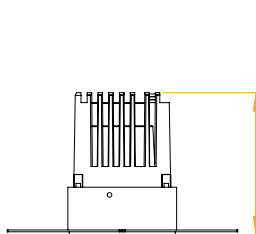
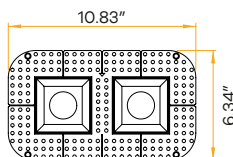


12W

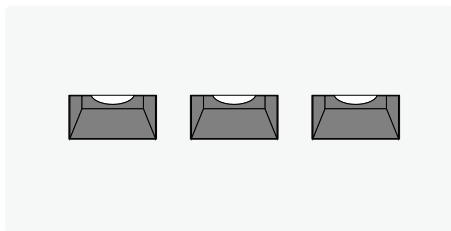
15/18W



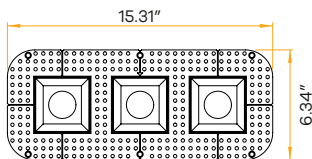
Double aperture



### Trim Options

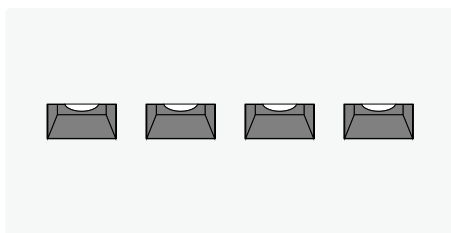
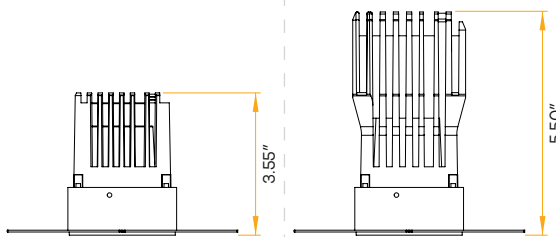


Triple aperture

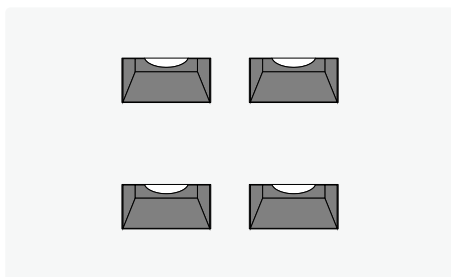
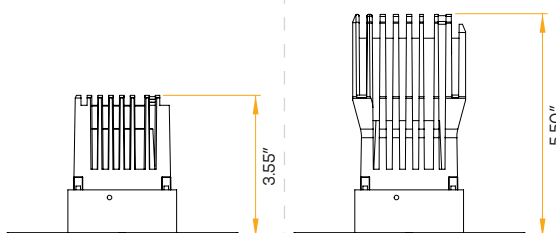
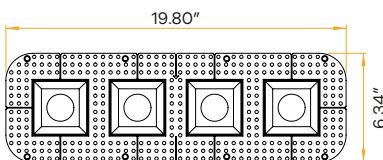


12W

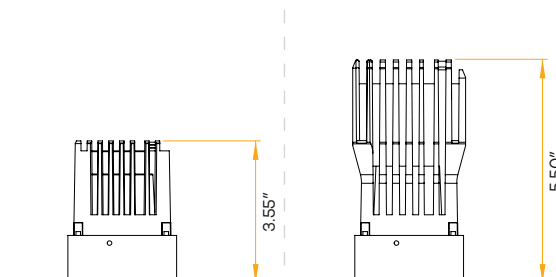
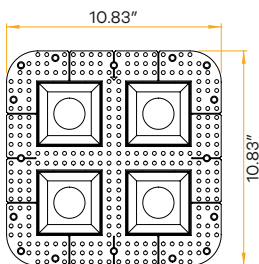
15/18W



Quadruple aperture

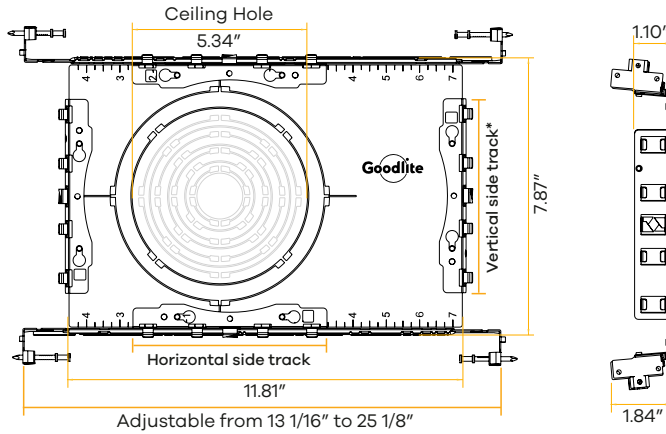


Quadruple aperture crossed



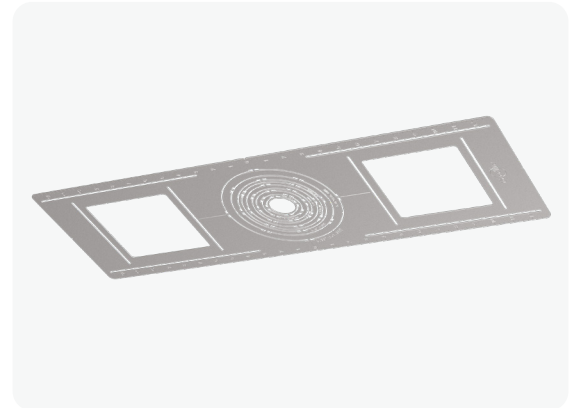
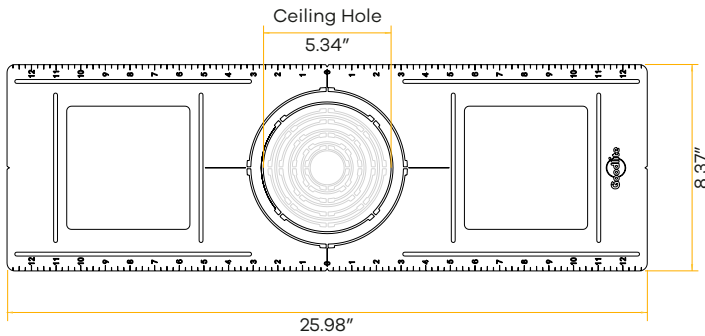
### Plate Line Drawings

#### New Construction Pan With Bracket - For single aperture use

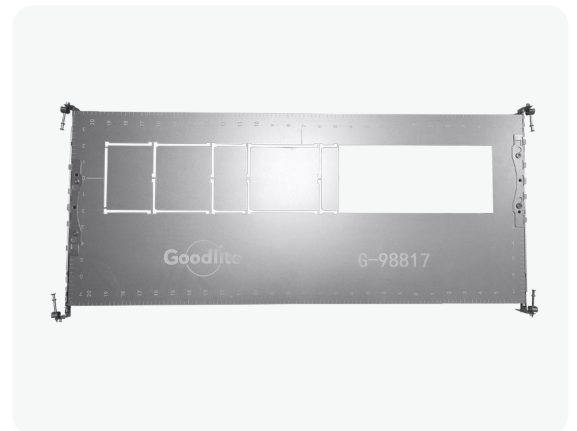
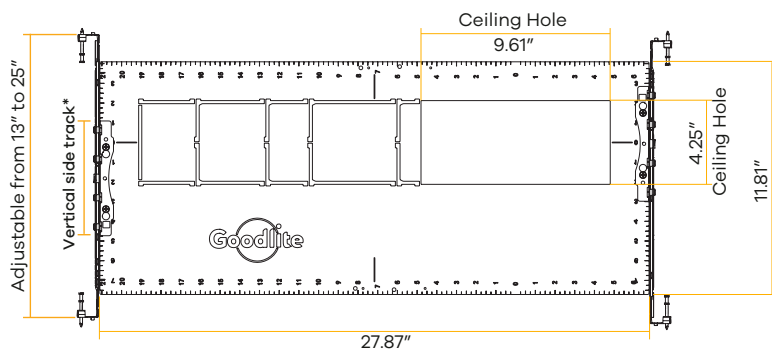


\*Note: Bracket can be shortened to 7.87" while using vertical side tracks

#### New Construction Pan - For single aperture use



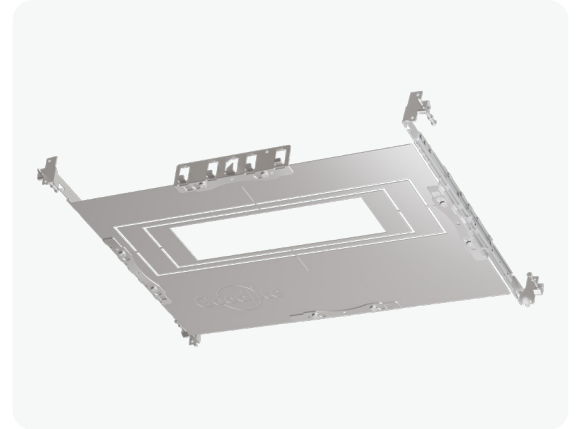
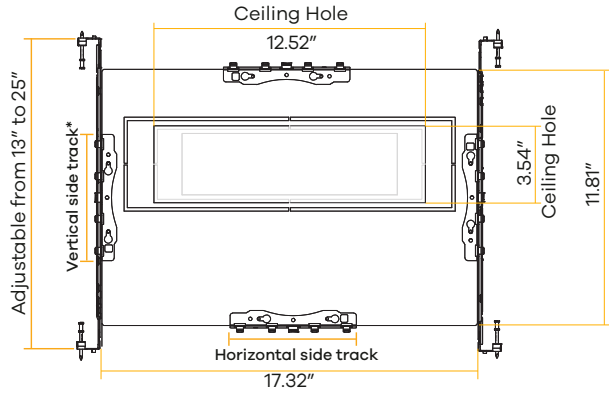
#### New Construction Pan With Bracket - For double aperture use



\*Note: Bracket can be shortened to 11.81" while using vertical side tracks

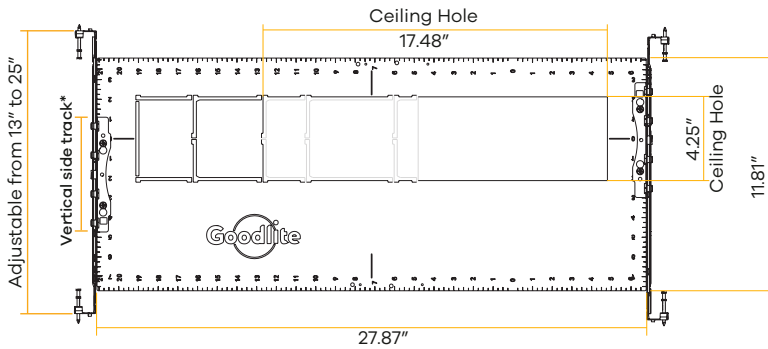
### Plate Line Drawings

#### New Construction Pan With Bracket - For triple aperture use



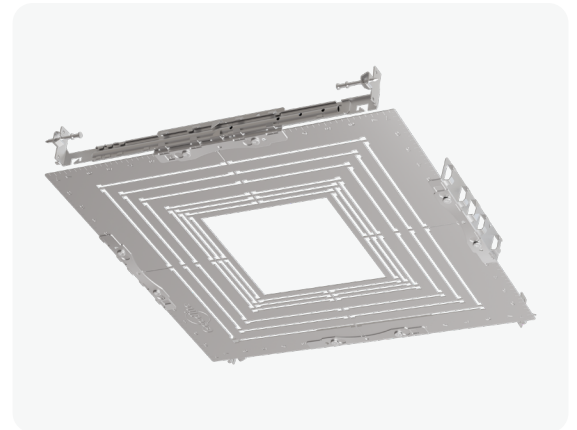
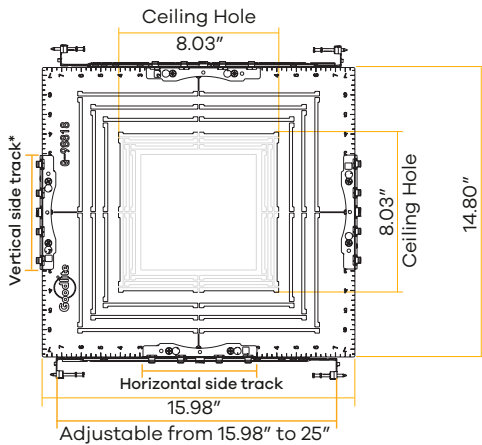
\*Note: Bracket can be shortened to 11.81" while using vertical side tracks

#### New Construction Pan With Bracket - For quadruple aperture use



\*Note: Bracket can be shortened to 11.81" while using vertical side tracks

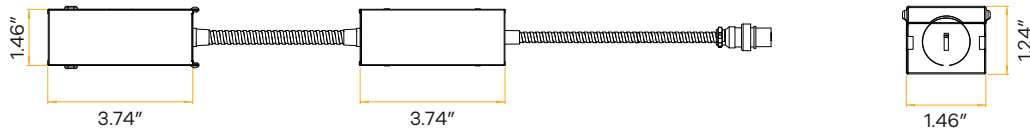
#### New Construction Pan With Bracket - For quadruple aperture crossed use



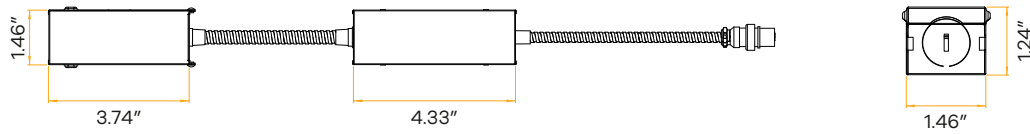
\*Note: Bracket can be shortened to 14.80" while using vertical side tracks

### Engine Line Drawing

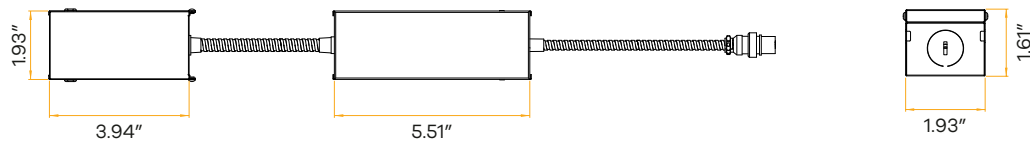
#### 12W Driver



#### 15W Driver



#### 28W Driver



### Dimmer Compatibility List

Brand	Load	Model	Brand	Load	Model
LUTRON	150W	LECL-153P	LUTRON	300W	DVELV-300P
		CTCL-150H			SELVB-300P
		LGCL-153PLH		600W	MACL-153M
		CTCL-153P			MRF2-600M
		SCL-153P			DVLV603
		PD-6WCL			MA-600
		PD-5NE	150W	IPL06	
		DVCL-153P		6672	
		TGCL-153P		6674	
		AYCL-153P		RDL06-10Z	
	MSCL-OP153M	RNL06-10Z			
	STCL-153M	300W		DSL06-1LZ	
	DVRF-6L			D26HD	
	250W	PD-10NXD	PASS & SEYMOUR	250W	LSCL450W
		DVCL253			WSCL450W
		DVRP-253	EATON	300W	DDE06-BLZ
		MRF2S-6CL			AAL06

#### 0-10V Dimming

Brand	Model
LUTRON	DVSTV
	DVSCTV
LEVITON	IP710-DLZ
	DS710-10Z
LEGRAND	RH4FBL3P
COOPER	SF10P

### Delivered Lumens Matrix

#### Single Aperture Report

Wattage	Color Temperature	Clear Lens			Silver Reflector	
		35°	42°	53°	33°	54°
12W	2700K (98CRI)	896LM	893LM	986LM	1001LM	1007LM
	3000K (98CRI)	1016LM	1012LM	1115LM	1098LM	1127LM
	3500K (98CRI)	1014LM	1012LM	1122LM	1136LM	1161LM
15W	2700K (98CRI)	1129LM	1123LM	1286LM	1292LM	1335LM
	3000K (98CRI)	1306LM	1290LM	1452LM	1433LM	1466LM
	3500K (98CRI)	1282LM	1280LM	1458LM	1472LM	1550LM
28W	2700K (98CRI)	2220LM	2141LM	2417LM	2431LM	2443LM
	3000K (98CRI)	2508LM	2447LM	2701LM	2645LM	2691LM
	3500K (98CRI)	2484LM	2418LM	2668LM	2720LM	2773LM