

Aster Pro Square Trimmed edition delivers seamless architectural integration with an exceptional 98 CRI, 7 finishes, 3 trim styles, universal 120/277V dual-voltage capability, and multi-protocol dimming.

Installation / Housing

- New construction / Remodel
- Flat pan Frame / Hanger bar Frame
- Driver is serviceable from below the ceiling for post installation

Rating and Certifications

- Air Tight Rated
- IC Rated (Selective)
- Wet Location Rated (Module & Trim only)
- Title 24-JA8 Compliant
- ETL Listed
- FCC

Trims

- Standard
- Pinhole
- Beveled

Performance

Lumens	Up to 2720 Delivered Lumens
Beam angle	35°, 42°, 53° and 78° beam angle options
CRI	98+

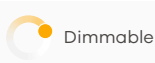
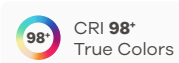
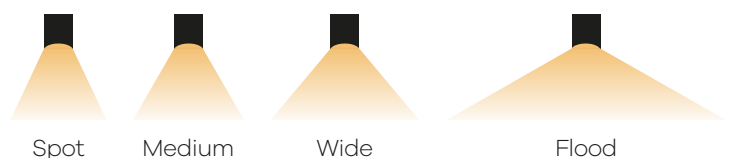
Power Specifications

Input volts	120-277V
Output volts	33-38V
Dimming	Triac Phase / ELV / 0-10V (5%)

Kelvin

- 2700k
- 3000k
- 3500k
- 1800K-3000k Warm Dim

Beam Angle



3" Square Trimmed Architectural Downlight Product Builder

Order Product Number

Model	Mounting	Watt
AP3.OSQT	NC New construction pan	12 12 Watt
	NCB New construction pan with bracket	15 15 Watt
	RM Remodel	28 28 Watt ¹

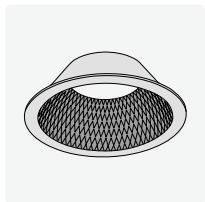
Kelvin	CRI	Optic	Beam
27 2700K	98 CRI 98	CL Clear lens	NS Narrow spot 35°
30 3000K		FR Frost optic ³	MS Medium spot 42°
35 3500K		SIR Silver reflector ⁴	WS Wide spot 53°
DTW Warm dim (1800K - 3000K) ²		WFL Wide flood spot 78°	

Media (optional)	Trim	Finish
HC Honeycomb	ST Standard	WH White
SL Solite		BL Black
PR Prismatic		BW Black / White
LR Linear	BV Beveled ⁵	BZ Bronze
		BN Brushed Nickel
		BB Brushed Brass
		BC Brushed Copper

Notes

- *1 Not IC (insulation contact) rated.
- *2 Available at 12w or 15W only.
- *3 Available in 78° only.
- *4 Available in 35 or 53° only.
- *5 Available in white or black finishes only.

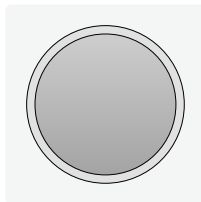
Optic and Media



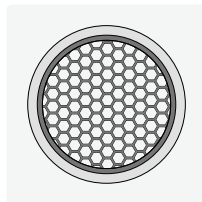
Silver reflector



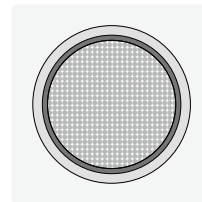
Clear lens



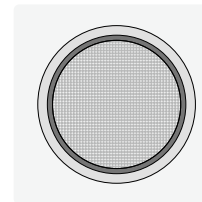
Frost optic



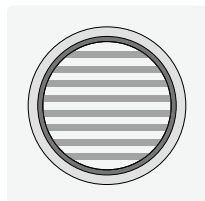
Honeycomb



Solite



Prismatic

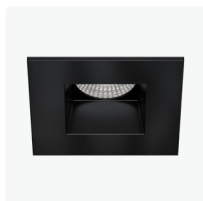


Linear

Trim Finish



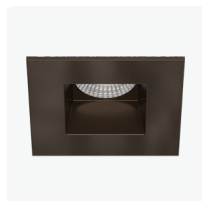
WH White



BL Black



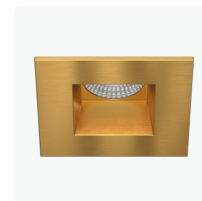
BW Black / White



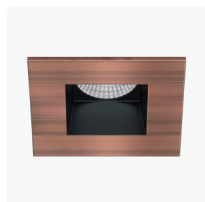
BZ Bronze



BN Brushed Nickel



BB Brushed Brass



BC Brushed Copper

Trim Options


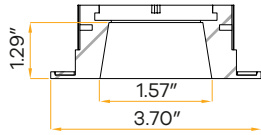
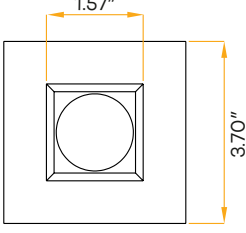
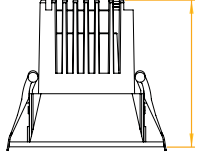
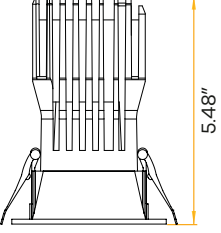

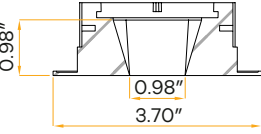
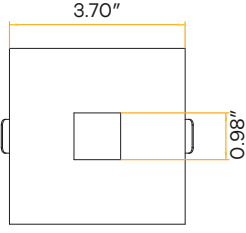
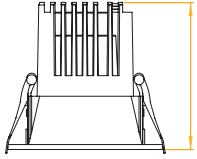
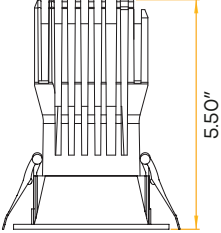
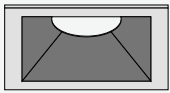
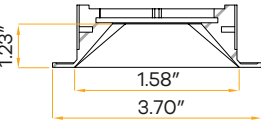
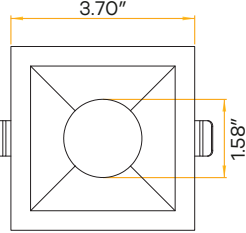
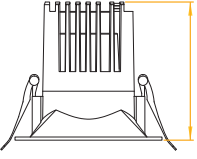
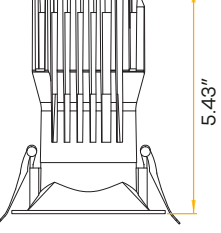
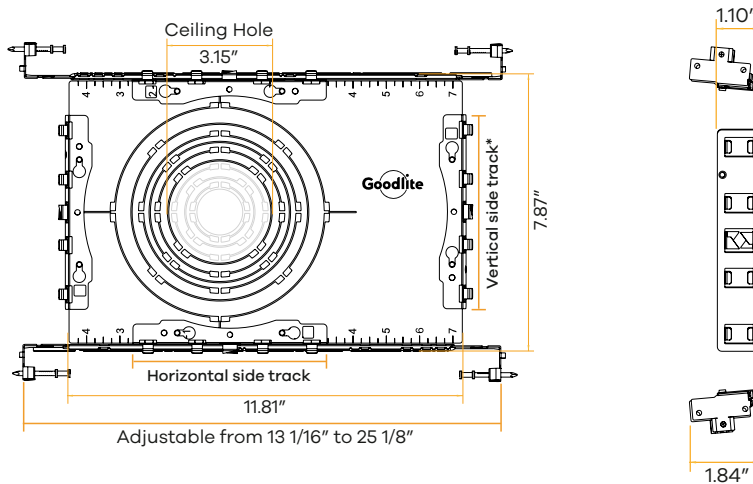
			12W	15/28W
 <p>Standard</p>	 <p>1.29" 1.57" 3.70"</p>	 <p>1.57" 3.70"</p>	 <p>3.54"</p>	 <p>5.48"</p>
 <p>Pinhole</p>	 <p>0.98" 0.98" 3.70"</p>	 <p>3.70" 0.98"</p>	 <p>3.50"</p>	 <p>5.50"</p>
 <p>Beveled</p>	 <p>1.23" 1.58" 3.70"</p>	 <p>3.70" 1.58"</p>	 <p>3.48"</p>	 <p>5.43"</p>

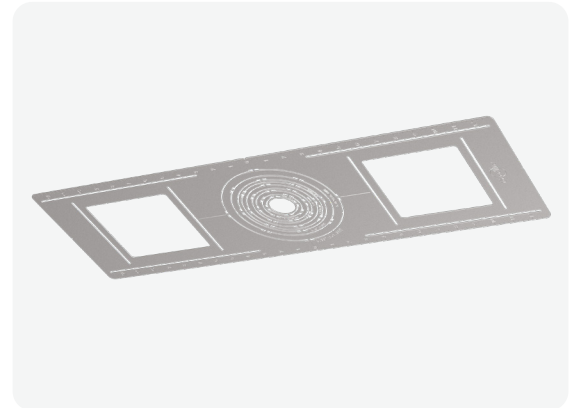
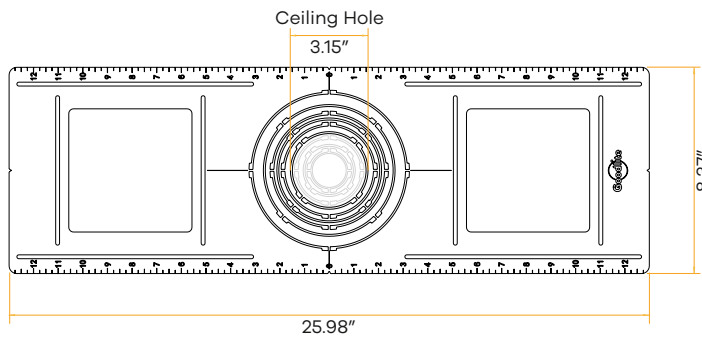
Plate Line Drawings

New Construction Pan With Bracket - For pinhole & standard trim use

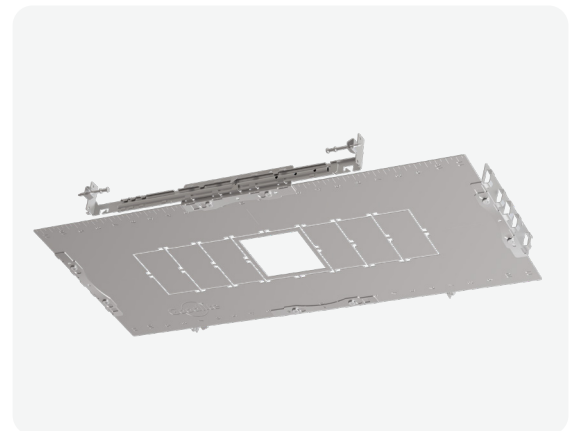
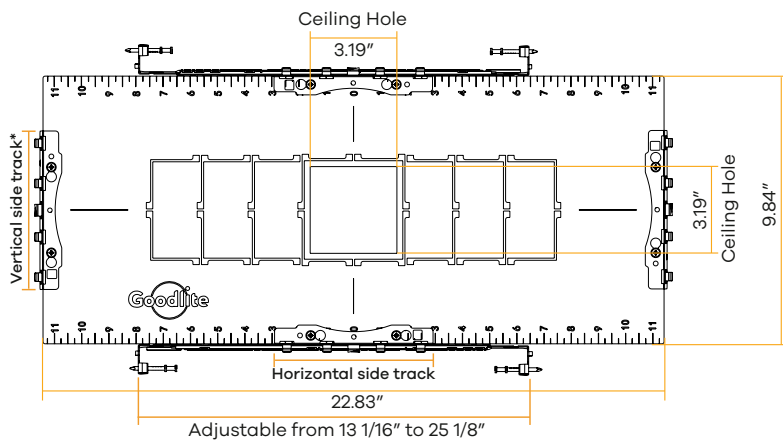


*Note: Bracket can be shortened to 7.87" while using vertical side tracks

New Construction Pan - For pinhole & standard trim use



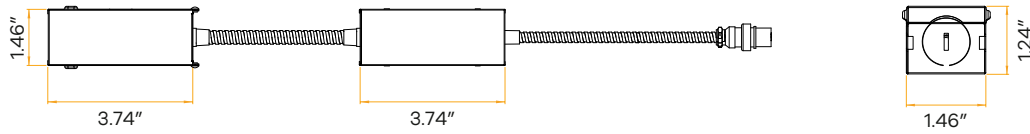
New Construction Pan With Bracket - For bevel trim use



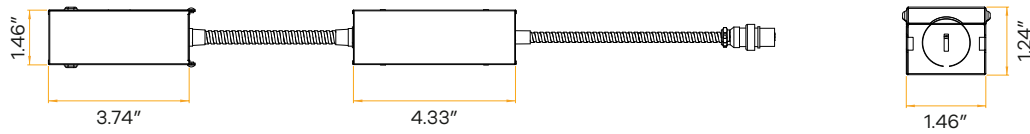
*Note: Bracket can be shortened to 9.84" while using vertical side tracks

Engine Line Drawing

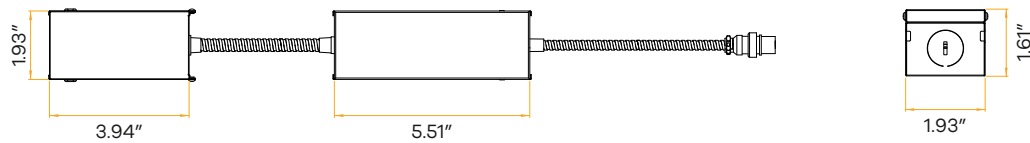
12W Driver



15W Driver



28W Driver



Dimmer Compatibility List

Brand	Load	Model	Brand	Load	Model
LUTRON	150W	LECL-153P	LUTRON	300W	DVELV-300P
		CTCL-150H			SELVB-300P
		LGCL-153PLH		600W	MACL-153M
		CTCL-153P			MRF2-600M
		SCL-153P			DVLV603
		PD-6WCL			MA-600
		PD-5NE	150W	IPL06	
		DVCL-153P		6672	
		TGCL-153P		6674	
		AYCL-153P		RDL06-10Z	
		MSCL-OP153M		RNL06-10Z	
		STCL-153M		300W	DSL06-1LZ
	DVRF-6L	D26HD			
	250W	PD-10NXD	PASS & SEYMOUR	250W	LSCL450W
		DVCL253			WSCL450W
		DVRP-253	EATON	300W	DDE06-BLZ
		MRF2S-6CL			AAL06

0-10V Dimming	
Brand	Model
LUTRON	DVSTV
	DVSCTV
LEVITON	IP710-DLZ
	DS710-10Z
LEGRAND	RH4FBL3P
COOPER	SF10P

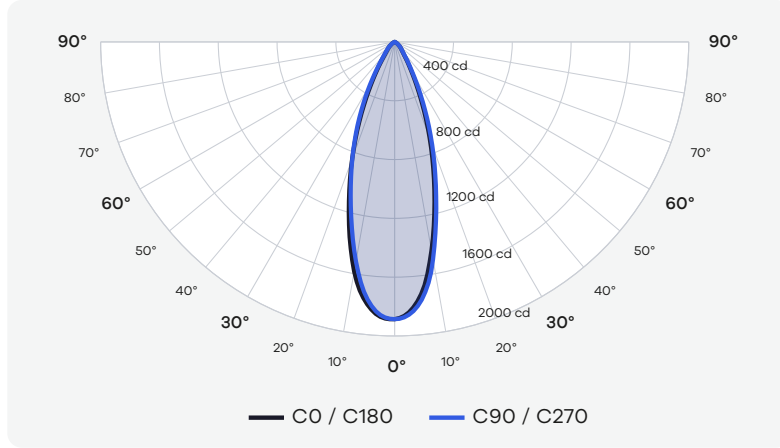
Delivered Lumens Martix

White Bevel Trim 98CRI

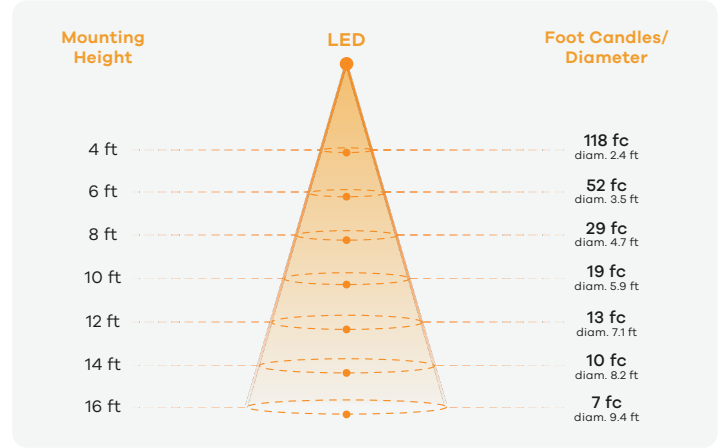
Wattage	Color Temperature	Clear Lens			Silver Reflector	
		35°	42°	53°	33°	54°
12W	2700K (98CRI)	896LM	893LM	986LM	1001LM	1007LM
	3000K (98CRI)	1016LM	1012LM	1115LM	1098LM	1127LM
	3500K (98CRI)	1014LM	1012LM	1122LM	1136LM	1161LM
15W	2700K (98CRI)	1129LM	1123LM	1286LM	1292LM	1335LM
	3000K (98CRI)	1306LM	1290LM	1452LM	1433LM	1466LM
	3500K (98CRI)	1282LM	1280LM	1458LM	1472LM	1550LM
28W	2700K (98CRI)	2220LM	2141LM	2417LM	2431LM	2443LM
	3000K (98CRI)	2508LM	2447LM	2701LM	2645LM	2691LM
	3500K (98CRI)	2484LM	2418LM	2668LM	2720LM	2773M

White Narrow Trim (2700K, 98CRI, 35°-Clear, 12W)

Polar Plot



Cone of Light Tabulation



Power Information

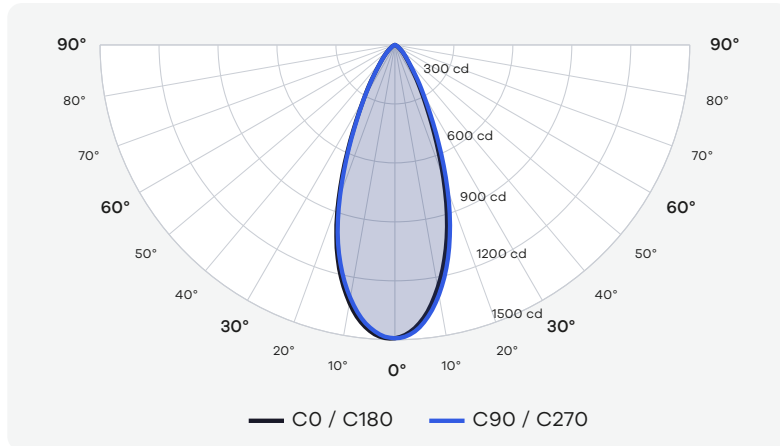
Voltage	119.84 V
Current	0.08936 A
Power	10.5 W
Power Factor	0.9776

Summary of Results

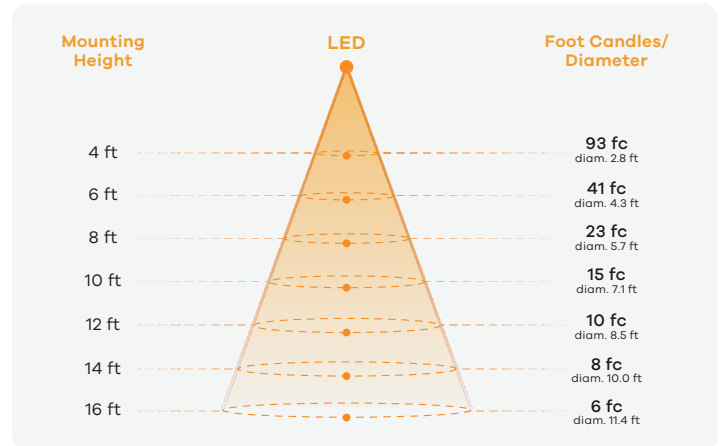
Spacing Criteria	0 - 180: 0.29	90 - 270: 0.29	Zone	Lumens	% of Luminaire
Total Lumen Output	884 LM		0 - 40	717	90%
Luminaire Efficacy	74 LM/W		0 - 60	784	99%
Maximun Candela	1886 CD		0 - 80	795	100%

White Narrow Trim (2700K, 98CRI, 42°-Clear, 12W)

Polar Plot



Cone of Light Tabulation



Power Information

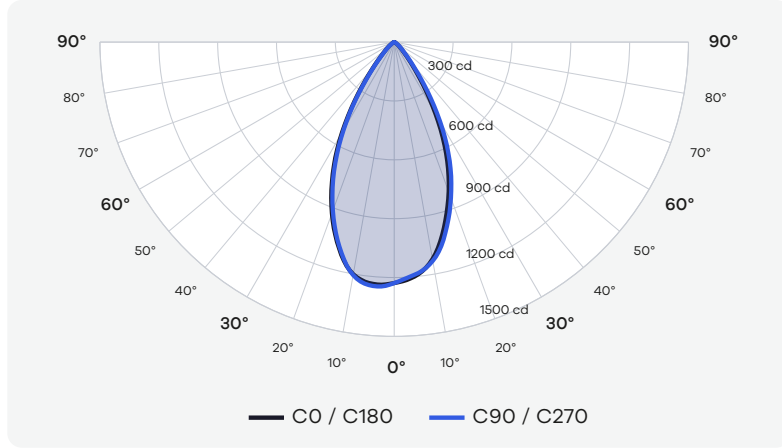
Voltage	119.72 V
Current	0.08974 A
Power	10.5 W
Power Factor	0.9776

Summary of Results

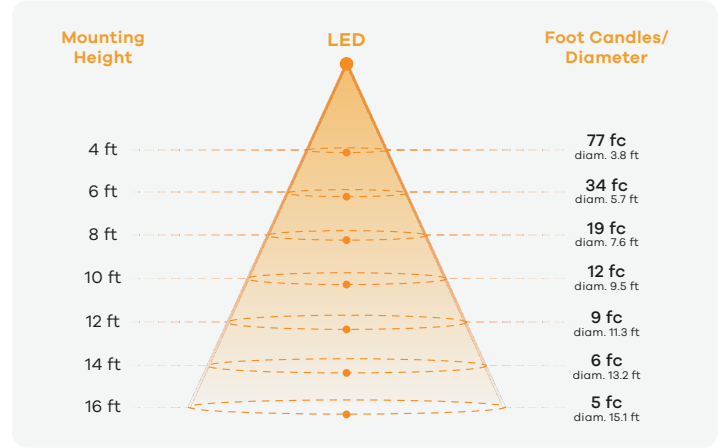
Spacing Criteria	0 - 180: 0.36	90 - 270: 0.36	Zone	Lumens	% of Luminaire
Total Lumen Output	859 LM		0 - 40	711	90%
Luminaire Efficacy	72 LM/W		0 - 60	782	98%
Maximun Candela	1492 CD		0 - 80	794	100%

White Narrow Trim (2700K, 98CRI, 53°-Clear, 12W)

Polar Plot



Cone of Light Tabulation



Power Information

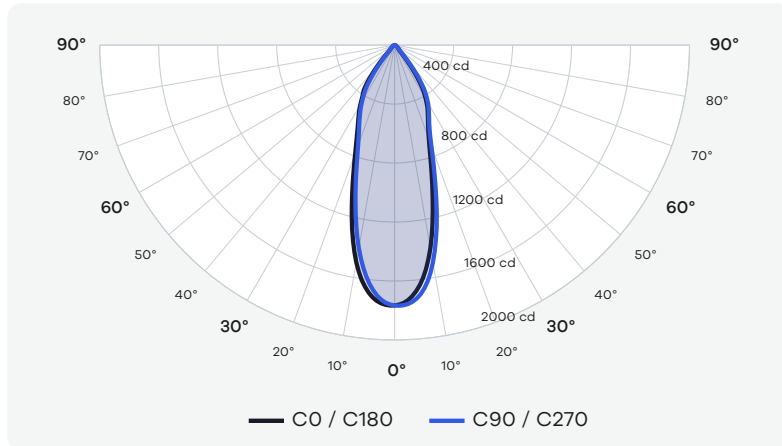
Voltage	119.74 V
Current	0.08963 A
Power	10.5 W
Power Factor	0.9776

Summary of Results

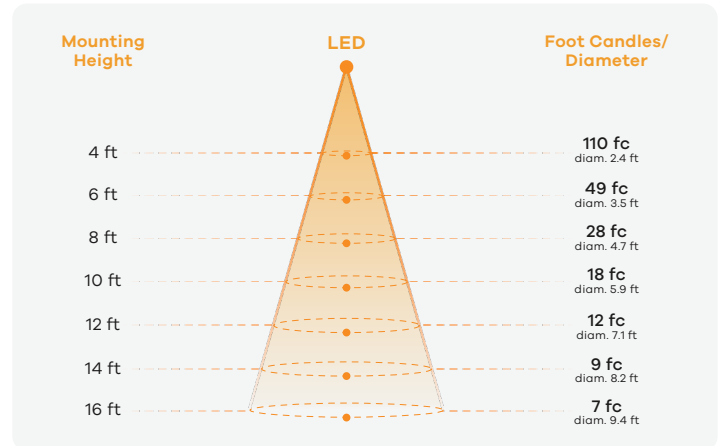
Spacing Criteria	0 - 180: 0.47	90 - 270: 0.47	Zone	Lumens	% of Luminaire
Total Lumen Output	982 LM		0 - 40	816	92%
Luminaire Efficacy	82 LM/W		0 - 60	881	99%
Maximun Candela	1228 CD		0 - 80	890	100%

White Narrow Trim (2700K, 98CRI, 33°-Silver Reflector, 12W)

Polar Plot



Cone of Light Tabulation



Power Information

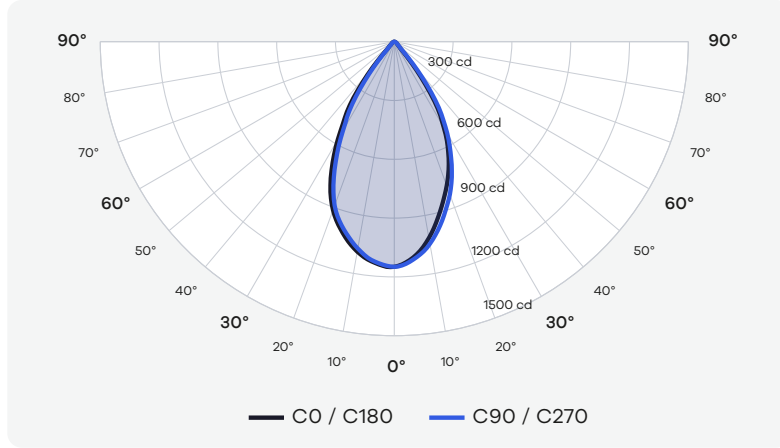
Voltage	119.74 V
Current	0.08953 A
Power	10.5 W
Power Factor	0.9776

Summary of Results

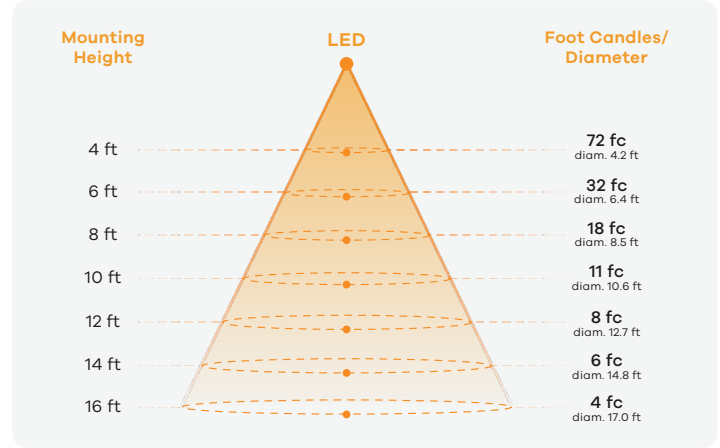
Spacing Criteria	0 - 180: 0.29	90 - 270: 0.29	Zone	Lumens	% of Luminaire
Total Lumen Output	964 LM		0 - 40	832	93%
Luminaire Efficacy	80 LM/W		0 - 60	883	98%
Maximun Candela	1766 CD		0 - 80	897	100%

White Narrow Trim (2700K, 98CRI, 54°-Silver Reflector, 12W)

Polar Plot



Cone of Light Tabulation



Power Information

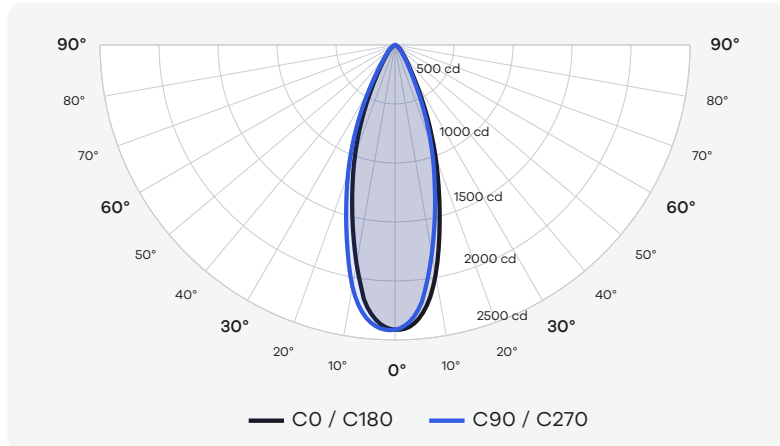
Voltage	119.74 V
Current	0.08949 A
Power	10.5 W
Power Factor	0.9776

Summary of Results

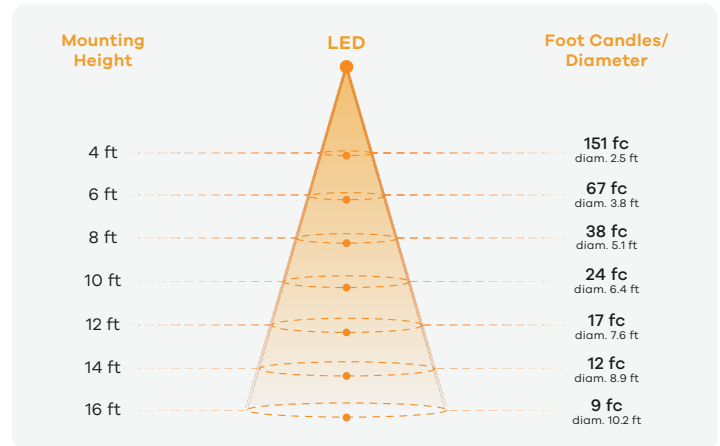
Spacing Criteria	0 - 180: 0.53	90 - 270: 0.53	Zone	Lumens	% of Luminaire
Total Lumen Output	975 LM		0 - 40	844	93%
Luminaire Efficacy	81 LM/W		0 - 60	889	98%
Maximun Candela	1149 CD		0 - 80	902	100%

White Narrow Trim (2700K, 98CRI, 35°-Clear, 15W)

Polar Plot



Cone of Light Tabulation



Power Information

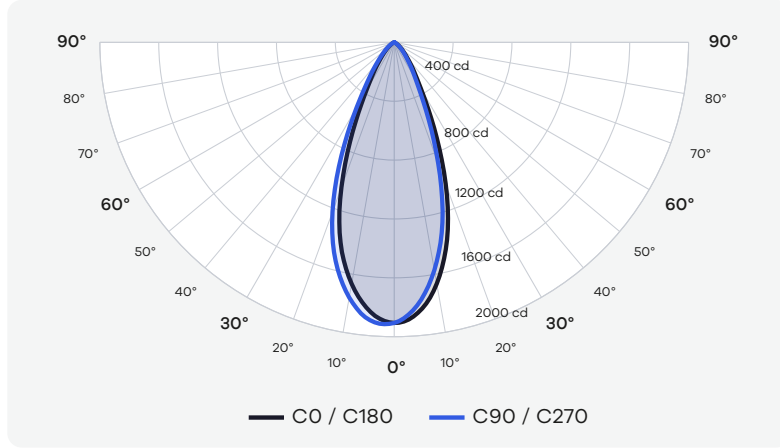
Voltage	119.73 V
Current	0.1164 A
Power	13.6 W
Power Factor	0.9781

Summary of Results

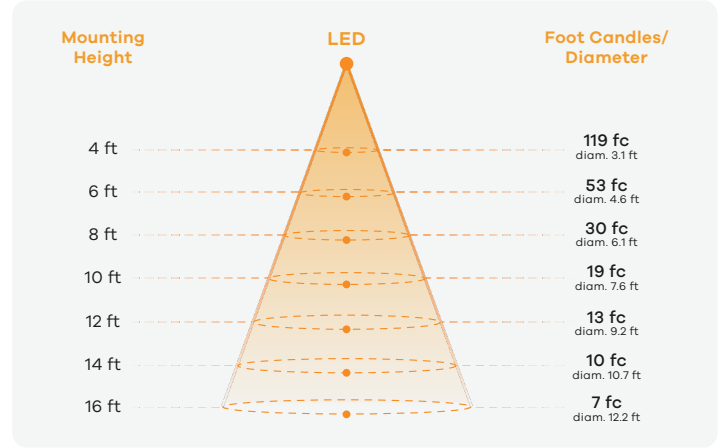
Spacing Criteria	0 - 180: 0.32	90 - 270: 0.32	Zone	Lumens	% of Luminaire
Total Lumen Output	1148 LM		0 - 40	1009	90%
Luminaire Efficacy	77 LM/W		0 - 60	1105	99%
Maximun Candela	2414 CD		0 - 80	1119	100%

White Narrow Trim (2700K, 98CRI, 42°-Clear, 15W)

Polar Plot



Cone of Light Tabulation



Power Information

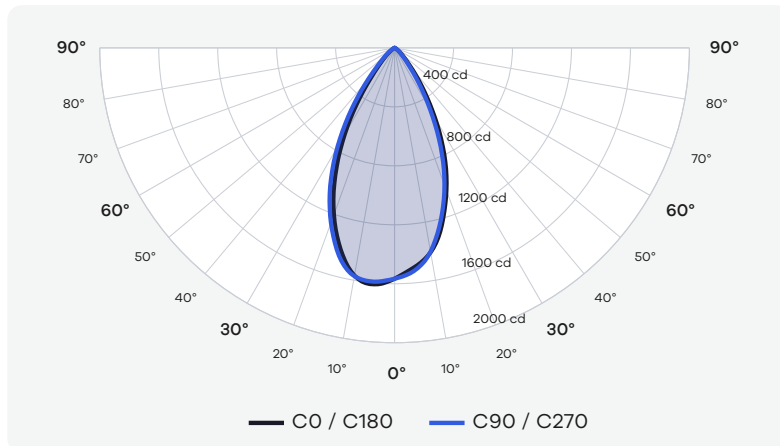
Voltage	119.71 V
Current	0.1166 A
Power	13.7 W
Power Factor	0.9781

Summary of Results

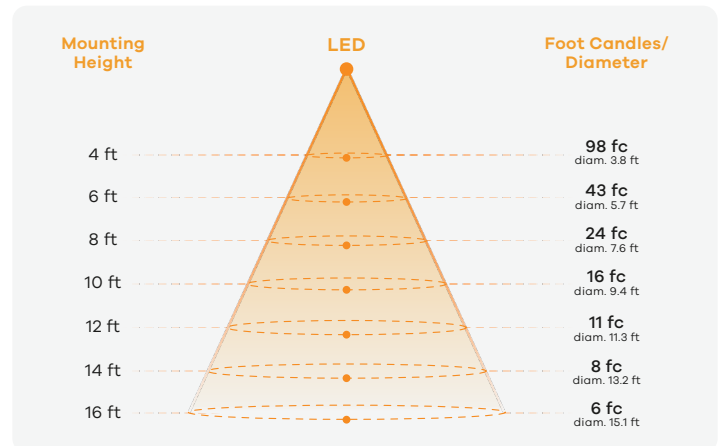
Spacing Criteria	0 - 180: 0.38	90 - 270: 0.38	Zone	Lumens	% of Luminaire
Total Lumen Output	1149 LM		0 - 40	987	89%
Luminaire Efficacy	77 LM/W		0 - 60	1090	99%
Maximun Candela	1907 CD		0 - 80	1104	100%

White Narrow Trim (2700K, 98CRI, 53°-Clear, 15W)

Polar Plot



Cone of Light Tabulation



Power Information

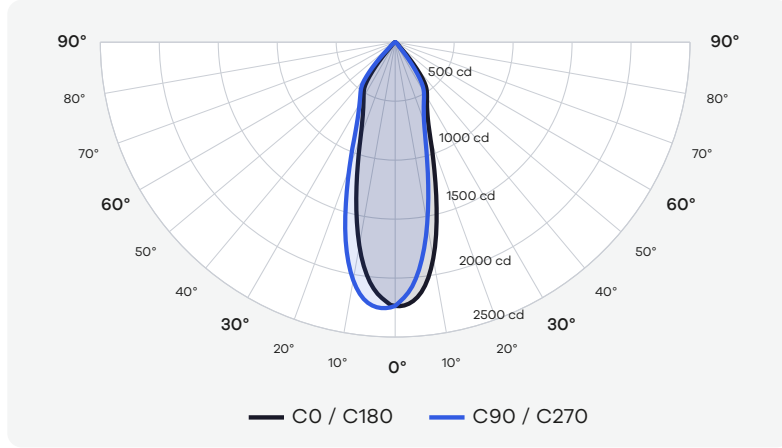
Voltage	119.71 V
Current	0.1167 A
Power	13.7 W
Power Factor	0.9781

Summary of Results

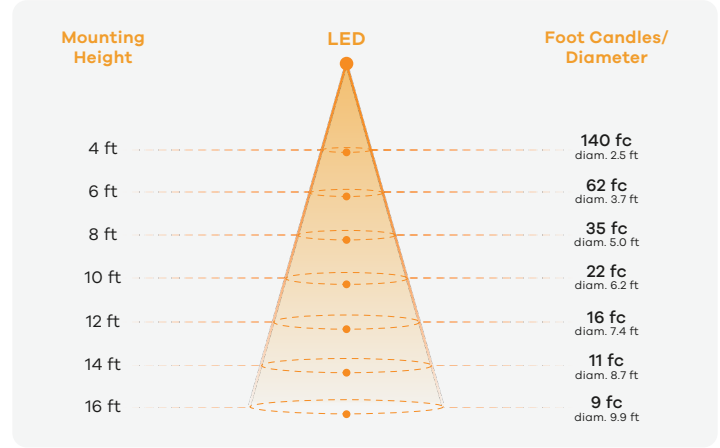
Spacing Criteria	0 - 180: 0.47	90 - 270: 0.47	Zone	Lumens	% of Luminaire
Total Lumen Output	1301 LM		0 - 40	1053	90%
Luminaire Efficacy	87 LM/W		0 - 60	1153	99%
Maximun Candela	1566 CD		0 - 80	1165	100%

White Narrow Trim (2700K, 98CRI, 33°-Silver Reflector, 15W)

Polar Plot



Cone of Light Tabulation



Power Information

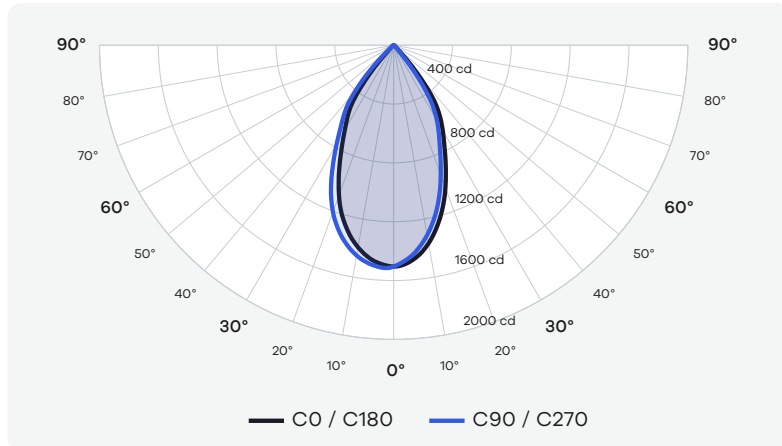
Voltage	119.72 V
Current	0.1168 A
Power	13.7 W
Power Factor	0.9781

Summary of Results

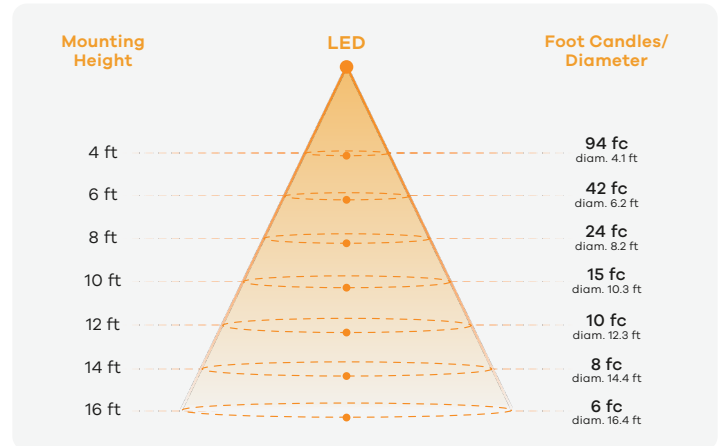
Spacing Criteria	0 - 180: 0.31	90 - 270: 0.31	Zone	Lumens	% of Luminaire
Total Lumen Output	1286 LM		0 - 40	1134	92%
Luminaire Efficacy	86 LM/W		0 - 60	1220	99%
Maximun Candela	2236 CD		0 - 80	1234	100%

White Narrow Trim (2700K, 98CRI, 54°-Silver Reflector, 15W)

Polar Plot



Cone of Light Tabulation



Power Information

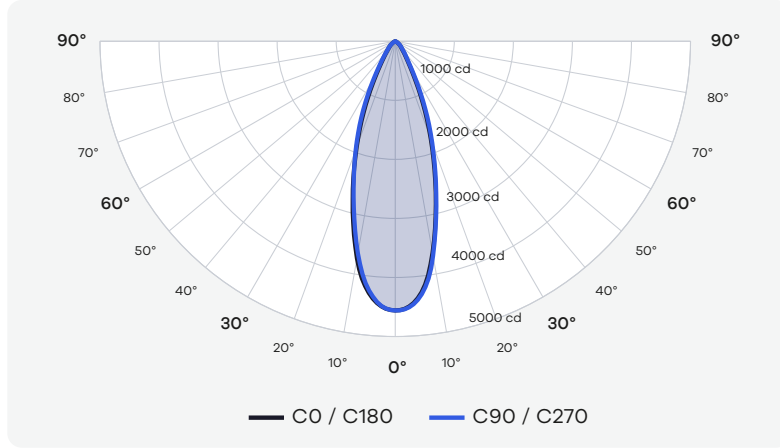
Voltage	119.72 V
Current	0.1171 A
Power	13.7 W
Power Factor	0.9780

Summary of Results

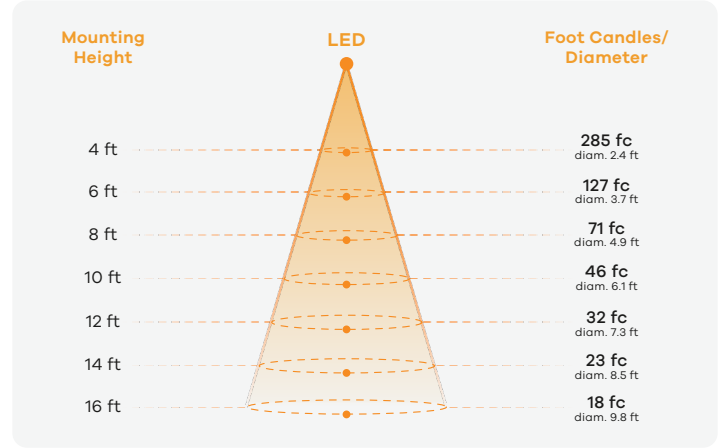
Spacing Criteria	0 - 180: 0.51	90 - 270: 0.51	Zone	Lumens	% of Luminaire
Total Lumen Output	1331 LM		0 - 40	1161	93%
Luminaire Efficacy	89 LM/W		0 - 60	1238	99%
Maximun Candela	1505 CD		0 - 80	1250	100%

White Narrow Trim (2700K, 98CRI, 35°-Clear, 28W)

Polar Plot



Cone of Light Tabulation



Power Information

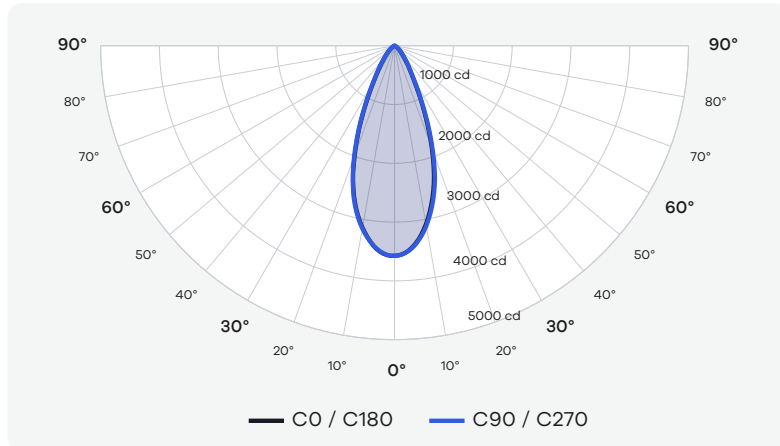
Voltage	119.67 V
Current	0.2306 A
Power	27.1 W
Power Factor	0.9816

Summary of Results

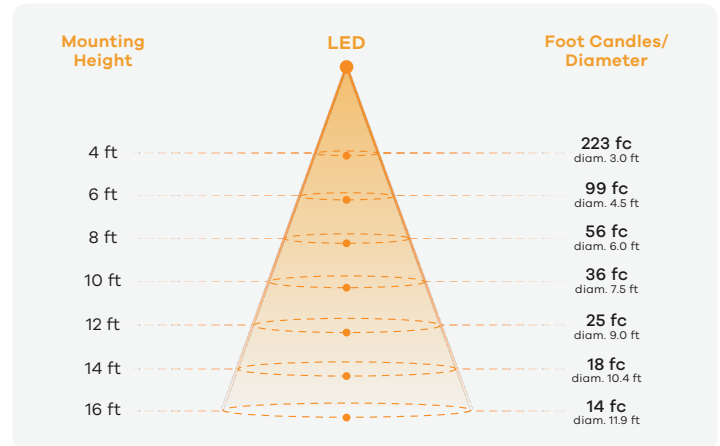
Spacing Criteria	0 - 180: 0.31	90 - 270: 0.31	Zone	Lumens	% of Luminaire
Total Lumen Output	2126 LM		0 - 40	1787	90%
Luminaire Efficacy	76 LM/W		0 - 60	1951	99%
Maximun Candela	4558 CD		0 - 80	1976	100%

White Narrow Trim (2700K, 98CRI, 42°-Clear, 28W)

Polar Plot



Cone of Light Tabulation



Power Information

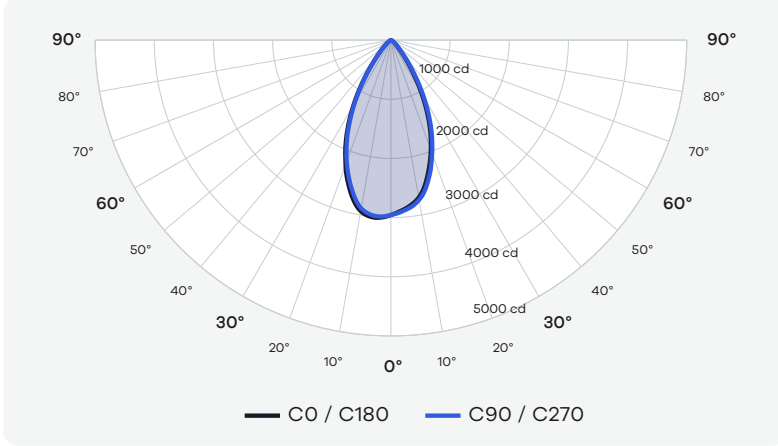
Voltage	119.70 V
Current	0.2301 A
Power	27.0 W
Power Factor	0.9815

Summary of Results

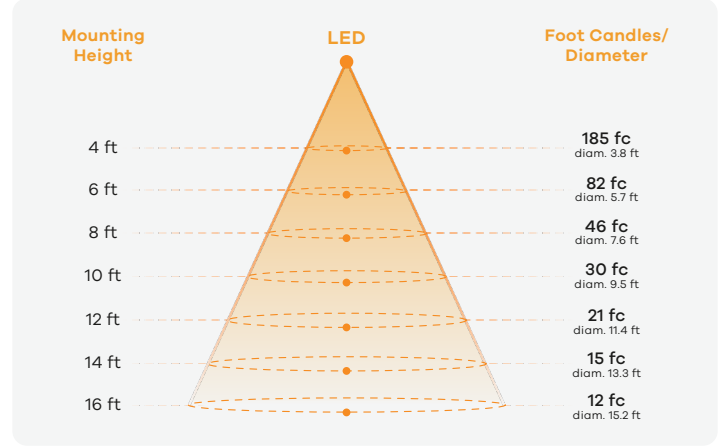
Spacing Criteria	0 - 180: 0.37	90 - 270: 0.37	Zone	Lumens	% of Luminaire
Total Lumen Output	2113 LM		0 - 40	1779	90%
Luminaire Efficacy	75 LM/W		0 - 60	1952	99%
Maximun Candela	3574 CD		0 - 80	1976	100%

White Narrow Trim (2700K, 98CRI, 53°-Clear, 28W)

Polar Plot



Cone of Light Tabulation



Power Information

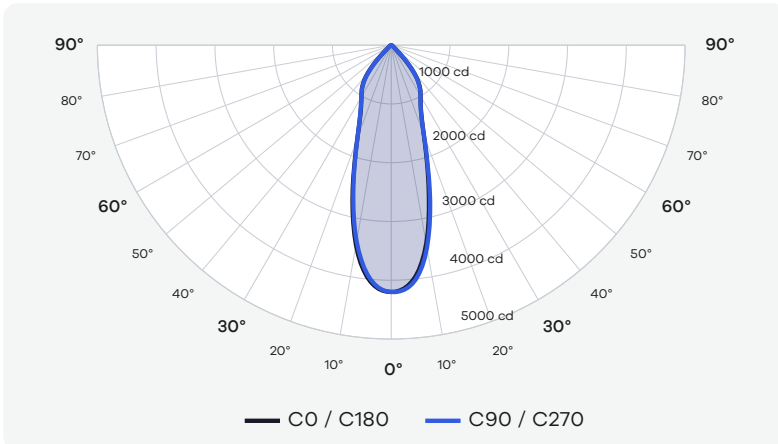
Voltage	119.69 V
Current	0.2299 A
Power	27.0 W
Power Factor	0.9815

Summary of Results

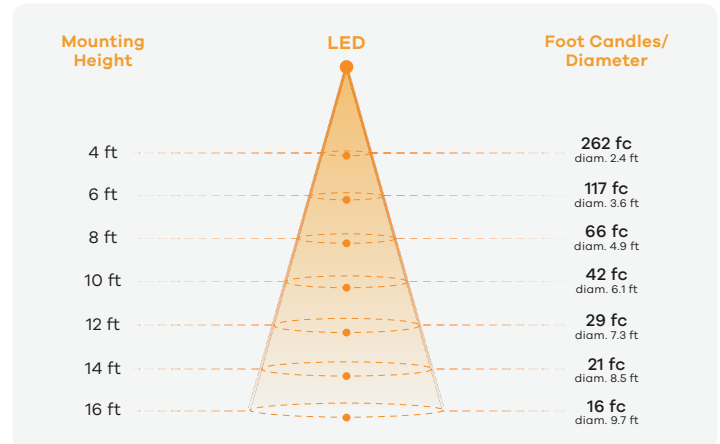
Spacing Criteria	0 - 180: 0.48	90 - 270: 0.48	Zone	Lumens	% of Luminaire
Total Lumen Output	2409 LM		0 - 40	1994	91%
Luminaire Efficacy	86 LM/W		0 - 60	2170	99%
Maximun Candela	2955 CD		0 - 80	2191	100%

White Narrow Trim (2700K, 98CRI, 33°-Silver Reflector, 28W)

Polar Plot



Cone of Light Tabulation



Power Information

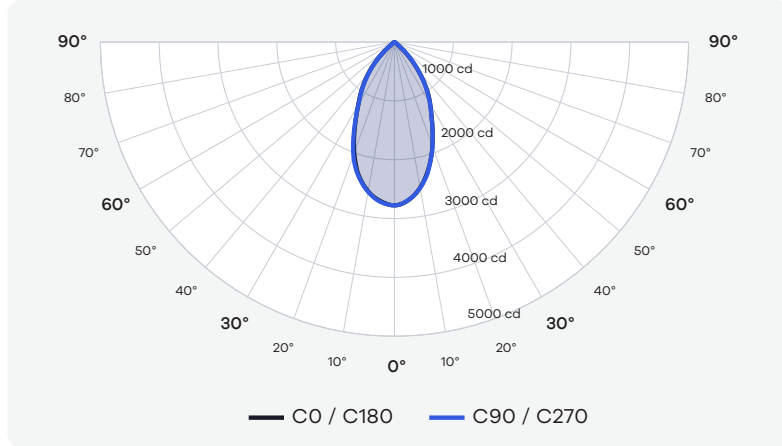
Voltage	119.68 V
Current	0.2297 A
Power	27.0 W
Power Factor	0.9815

Summary of Results

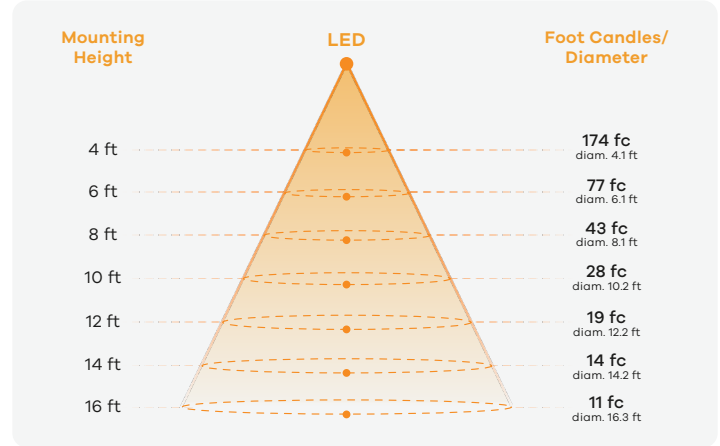
Spacing Criteria	0 - 180: 0.3	90 - 270: 0.3	Zone	Lumens	% of Luminaire
Total Lumen Output	2394 LM		0 - 40	2112	89%
Luminaire Efficacy	85 LM/W		0 - 60	2341	99%
Maximun Candela	4200 CD		0 - 80	2368	100%

White Narrow Trim (2700K, 98CRI, 54°-Silver Reflector, 28W)

Polar Plot



Cone of Light Tabulation



Power Information

Voltage	119.70 V
Current	0.2297 A
Power	27.0 W
Power Factor	0.9815

Summary of Results

Spacing Criteria	0 - 180: 0.51	90 - 270: 0.51	Zone	Lumens	% of Luminaire
Total Lumen Output	2430 LM		0 - 40	2143	87%
Luminaire Efficacy	87 LM/W		0 - 60	2433	99%
Maximun Candela	2776 CD		0 - 80	2456	100%