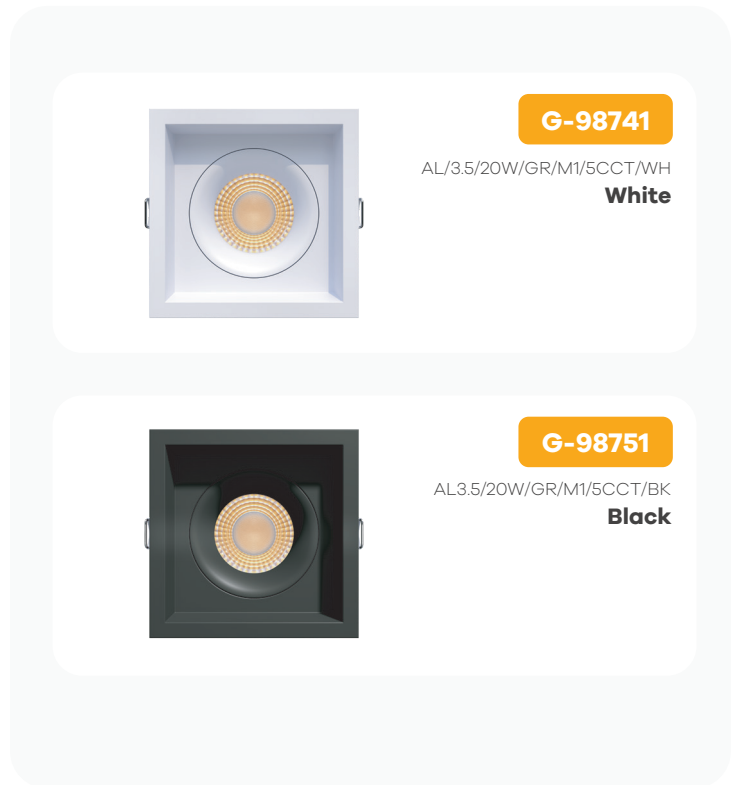


Altair 3.5"

Square Regress Gimbal

Product Information

Color temp	27,30, 35,41, 50k
Output lumens	1400 - 1850
Beam angle	40°
Input volts	120-277V
Wattage	14W 20W
CRI	90
IC rated	At 14W
Dimmable	Triac or 0-10v
Plenum rated	FT6
Cut out	3.77" X 3.77"
OD	4.13"
Height	4.26"
Packed	18



Lens Options

Clear Lens



G-98825
L3/24-DEGREE



G-98826
L3/40-DEGREE



G-98827
L3/60-DEGREE

Reflector



G-98828
30°-DEGREE



G-98829
40°-DEGREE



Accessories



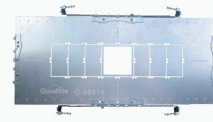
Emergency LED Driver

15W G-48410
25W G-95525
30W G-48411
60W G-95521



Multi Driver Converter

14W G-95825
20W G-95826



New Construction Plate

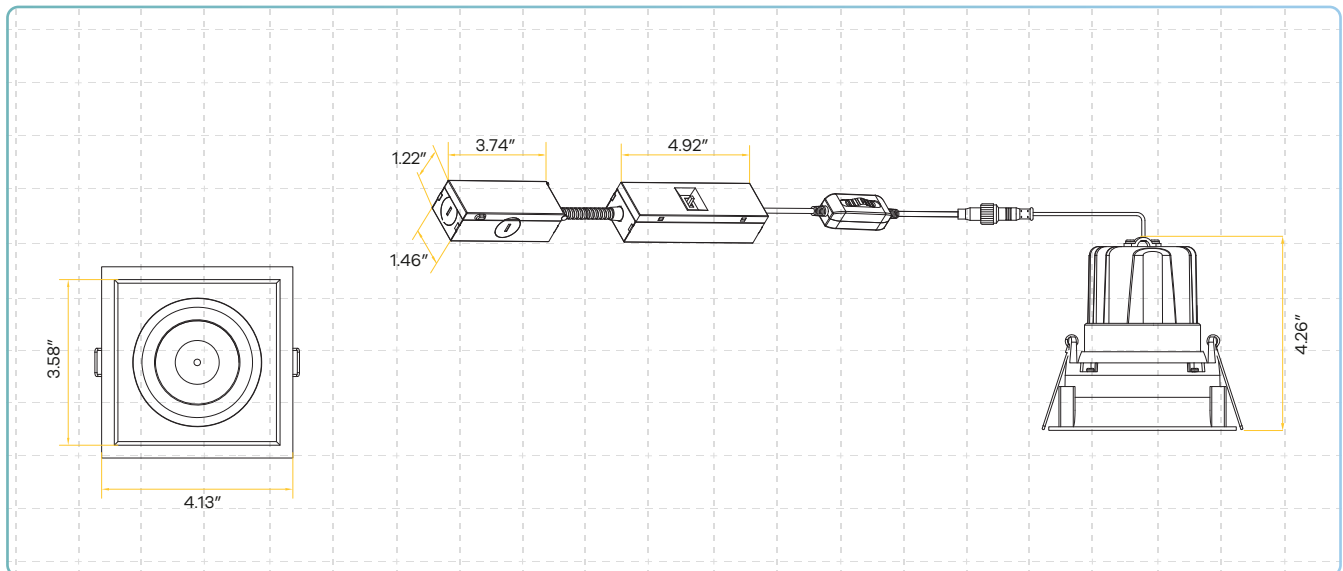
G-98814 1 Punch Out



Extension Cords

5ft G-20247
10ft G-20248
20ft G-19822
30ft G-19823

Dimensions



Dimmer list

Brand	Load	Model	
LUTRON	150W	LECL-153P	
		CTCL-150H	
		LGCL-153PLH	
		CTCL-153P	
		SCL-153P	
		PD-6WCL	
		PD-5NE	
		DVCL-153P	
		TGCL-153P	
		AYCL-153P	
		MSCL-OP153M	
		STCL-153M	
		DVRF-6L	
		250W	PD-10NXD
			DVCL253
	DVRP-253		
	MRF2S-6CL		
	300W	DVELV-300P	
		SELVB-300P	
	600W	MACL-153M	
		MRF2-600M	
		DVLV603	
		MA-600	

Brand	Load	Model
LEVITON	150W	IPL06
		6672
		6674
		RDL06-10Z
		RNL06-10Z
	300W	DSL06-1LZ
		D26HD
PASS & SEYMOUR	250W	LSCL450W
		WSCL450W
EATON	300W	DDE06-BLZ
		AAL06

0-10V Dimming

Brand	Model
LUTRON	DVSTV
	DVSCTV
LEVITON	IP710-DLZ
	DS710-10Z
LEGRAND	RH4FBL3P
COOPER	SF10P