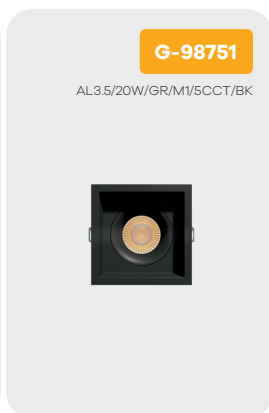
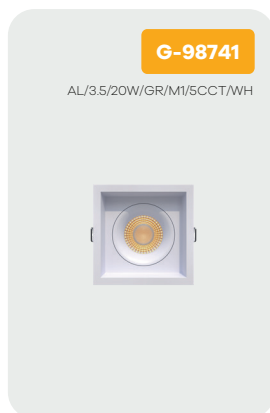
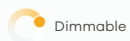
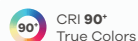


Altair 3.5" Trimmed



Product Information

Color temp	27, 30, 35, 41, 50K	IC rated	At 14W
Output lumens	1400 - 1850	Dimmable	Triac or 0-10v
Beam angle	40°	Plenum rated	FT6
Input volts	120-277V	Cut out	3.77" X 3.77"
Wattage	14W 20W	OD	4.13"
CRI	90	Height	4.26"
NC Plate	G-98814 1 Punch Out	Packed	18



Product Information

Color temp	27, 30, 35, 41, 50K	IC rated	At 27W
Output lumens	2600 3600	Dimmable	Triac or 0-10v
Beam angle	40°	Plenum rated	FT6
Input volts	120-277V	Cut out	7.44" X 3.70"
Wattage	27W 40W	OD	7.87" X 3.58"
CRI	90	Height	4.26"
NC Plate	G-98814 2 Punch Out	Packed	6



Product Information

Color temp	27, 30, 35, 41, 50K	IC rated	At 36W
Output lumens	3750 5250	Dimmable	Triac or 0-10v
Beam angle	40°	Plenum rated	FT6
Input volts	120-277V	Cut out	11.18" X 3.70"
Wattage	39W 60W	OD	11.61" X4.13"
CRI	90	Height	4.26"
NC Plate	G-98814 3 Punch Out	Packed	6

G-98744

AL/3.5/80W/GR/M4/5CCT/WH

**G-98754**

AL3.5/80W/GR/M4/5CCT/BK



Product Information

Color temp	27, 30, 35, 41, 50K	IC rated	At 50W
Output lumens	4900 6800	Dimmable	Triac or 0-10v
Beam angle	40°	Plenum rated	FT6
Input volts	120-277V	Cut out	14.92" X 3.70"
Wattage	50W 80W	OD	15.35" X 4.13"
CRI	90	Height	4.26"
NC Plate	G-98814 4 Punch Out	Packed	4

Lens Options

Clear Lens



G-98825
L3/24-DEGREE



G-98826
L3/40-DEGREE



G-98827
L3/60-DEGREE

Reflector



G-98828
30°-DEGREE



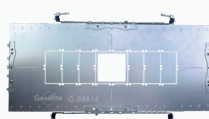
G-98829
40°-DEGREE

Accessories



Emergency LED Driver

15W G-48410
25W G-95525
30W G-48411
60W G-95521



New Construction Plate

G-98814

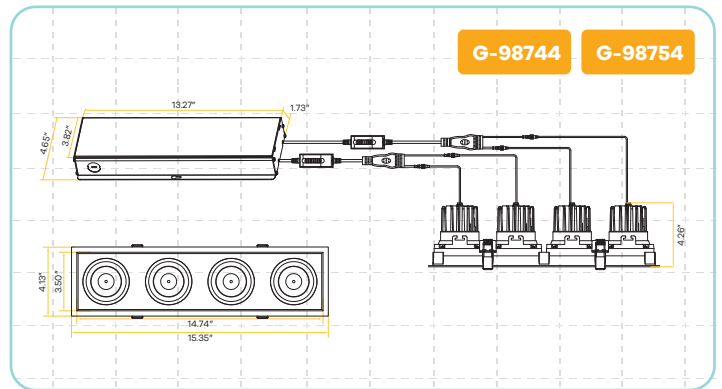
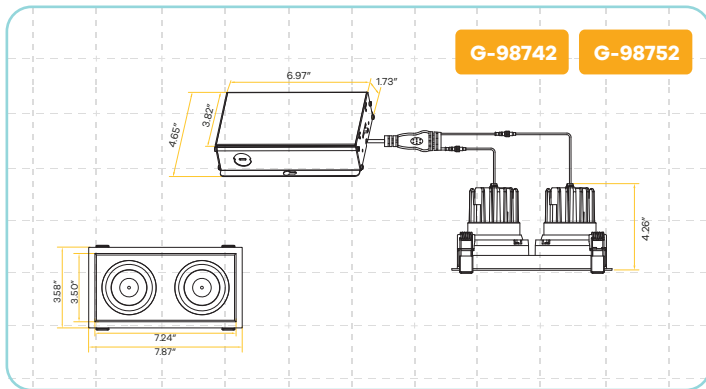
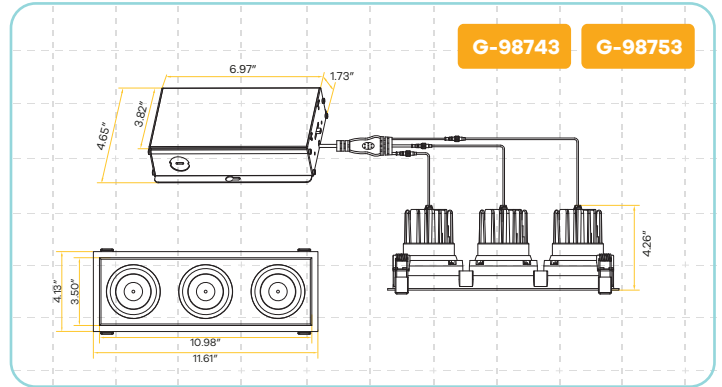
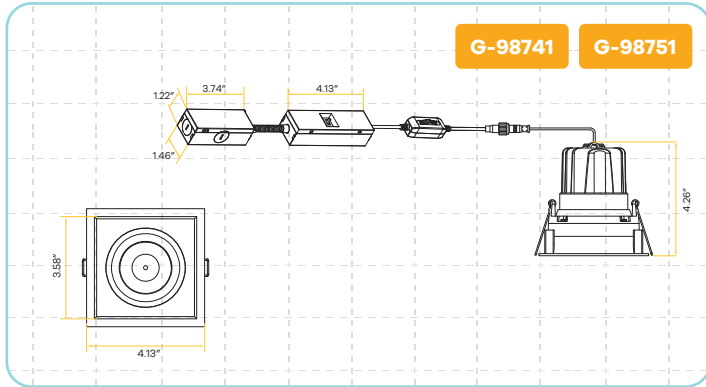


Extension Cords

5ft G-20247
10ft G-20248
20ft G-19822
30ft G-19823

*NOTE:
EM Batteries require to be either same or higher watt than the fixtures watt (take in consideration these fixture's are wattage select)

Dimensions



Dimmer list

Brand	Load	Model
LUTRON	150W	LECL-153P
		CTCL-150H
		LGCL-153PLH
		CTCL-153P
		SCL-153P
		PD-6WCL
		PD-5NE
		DVCL-153P
		TGCL-153P
		AYCL-153P
		MSCL-OP153M
		STCL-153M
		DVRF-6L
		250W
	DVCL253	
	DVRP-253	
	MRF2S-6CL	
	300W	DVELV-300P
		SELVB-300P
	600W	MACL-153M
		MRF2-600M
		DVLV603
		MA-600

Brand	Load	Model
LEVITON	150W	IPL06
		6672
		6674
		RDL06-10Z
		RNL06-10Z
	300W	DSL06-1LZ
		D26HD
PASS & SEYMOUR	250W	LSCL450W
		WSCL450W
EATON	300W	DDE06-BLZ
		AAL06

0-10V Dimming

Brand	Model
LUTRON	DVSTV
	DVSCTV
LEVITON	IP710-DLZ
	DS710-10Z
LEGRAND	RH4FBL3P
COOPER	SF10P