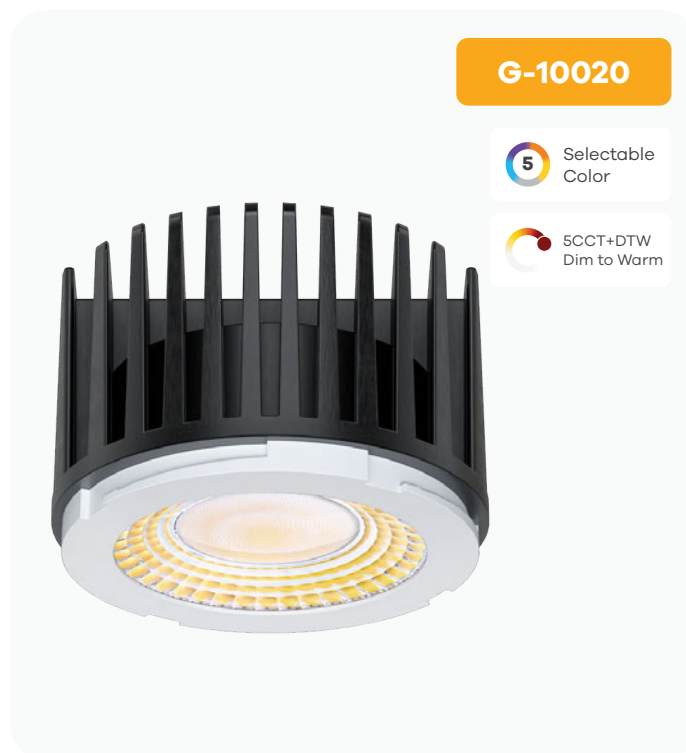


Aster 4"

9/15W Interchangeable Module

Product Information

Description	M4/15W/WS2/LED/5CCT
Color temp	27, 30, 35, 41, 50k
Output lumens	1550/950
Beam angle	40° Clear (Default)
Input volts	120-277V
Wattage	9/15W
CRI	90>
mA	350/210mA
Output volts	33-38V
IC rated	YES
Dimmable	Triac or 0-10 Dimming
Dim to warm	See table page 2
Packed	12



[See other Module options](#)

Trim Options

- Round/Square Trims
- Shallow Trims
- Ultra Shallow Trims
- Narrow Trims
- Wave Trims
- Adjustable Trims
- Trimless Round
- Trimless Square
- Wallwash Trims
- Millwork Round Trims
- Millwork Square Trims
- Single Head Square
- Round Multi 2 Heads
- Square Multi 2 Heads
- Round Multi 3 Heads
- Square Multi 3 Heads
- Round Multi 4 Heads
- Square Multi 4 Heads
- Round Multi 4 Heads Square
- Square Multi 4 Heads Square

- CRI 90+ True Colors
- Wet Location
- Changing Lens
- Dimmable

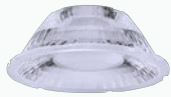
- JA8 TITLE 24
- ETL US
- FC

5CCT & Multi Dim to Warm Colors

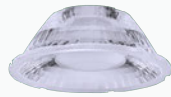
Set to	2700K	3000K	3500K	4000K	5000K
At CCT setting	2700 Kelvin	3000 Kelvin	3500 Kelvin	4000 Kelvin	5000 Kelvin
At Dim to warm setting	2500K - 1800K	2700K - 1800K	3000K - 1800K	3500K - 1800K	4000K - 1800K

Lens Options

Clear Lens



G-11022
L4/24-DEGREE



G-11023
L4/40-DEGREE



G-11024
L4/60-DEGREE



G-11020
L4/FROSTED/80°

Frosted Lens

Reflector Lens

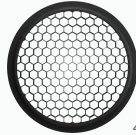


G-11025
L4/REFLECTOR/30°



G-11026
L4/REFLECTOR/60°

Diffuser



G-21440
4/HEX/HC/DIFFUSER

Lens Covers



G-21427
4/SOLITE LENS



G-21428
4/PRISMATIC LENS



G-21429
4/BEAMSPLIT LENS

Accessories



Emergency LED Driver

25W G-95525
30W G-48411
60W G-95521



Multi Driver Converter

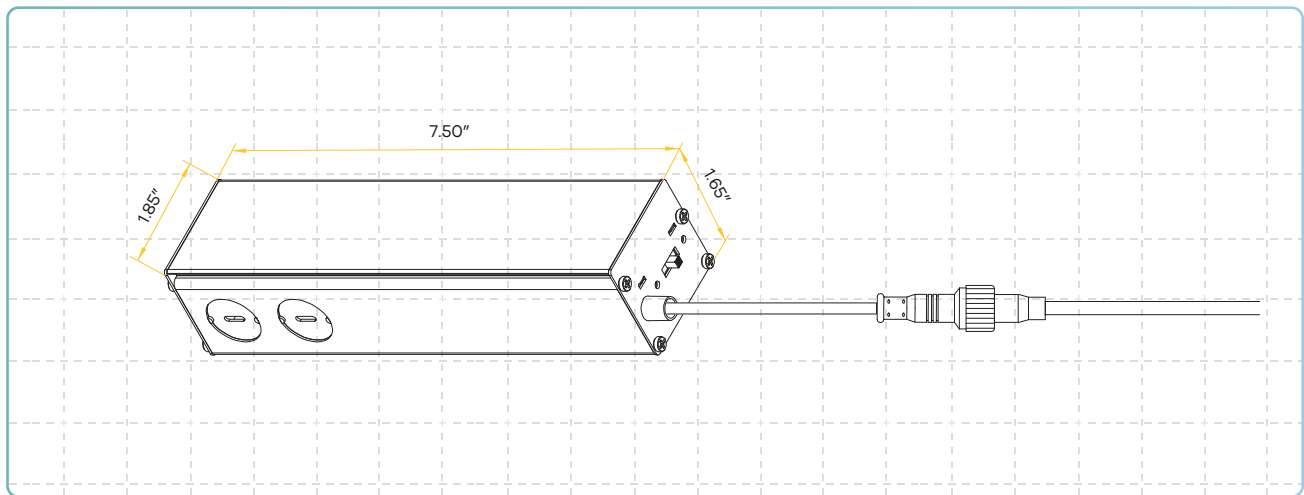
9W G-95824
14W G-95825



Extension Cords

5ft G-20247
10ft G-20248
20ft G-19822
30ft G-19823

Driver Dimensions



Dimmer List

Brand	Load	Model
LUTRON	150W	LECL-153P
		CTCL-150H
		LGCL-153PLH
		CTCL-153P
		SCL-153P
		PD-6WCL
		PD-5NE
		DVCL-153P
		TGCL-153P
		AYCL-153P
	250W	MSCL-OP153M
		STCL-153M
		DVRF-6L
		PD-10NXD
	300W	DVCL253
		DVRP-253
		MRF2S-6CL
	600W	DVELV-300P
		SELVB-300P
		MACL-153M
	MRF2-600M	
	DVLV603	
	MA-600	

Brand	Load	Model
LEVITON	150W	IPL06
		6672
		6674
	300W	RDL06-10Z
		RNL06-10Z
		DSL06-1LZ
	D26HD	
PASS & SEYMOUR	250W	LSCL450W
		WSCL450W
EATON	300W	DDE06-BLZ
		AAL06

0-10V Dimming

Brand	Model
LUTRON	DVSTV
	DVSCVT
LEVITON	IP710-DLZ
	DS710-10Z
LEGRAND	RH4FBL3P
COOPER	SF10P