

Aster 4"

12W Interchangeable Module

Product Information

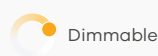
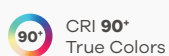
Description	M4/12W/LED/5CCT
Color temp	27,30,35,41,50K + DTW
Output lumens	1100
Beam angle	40° Clear (Default)
Input volts	120-277V
Wattage	12W
CRI	90+
mA	270mA
Output volts	33-38V
IC rated	YES
Dimmable	Triac or 0-10 Dimming
Dim to warm	See table page 2
Packed	18



[See other Module options](#)

Trim Options

- Round/Square Trims
- Shallow Trims
- Ultra Shallow Trims
- Narrow Trims
- Wave Trims
- Adjustable Trims
- Trimless Round
- Trimless Square
- Wallwash Trims
- Millwork Round Trims
- Millwork Square Trims
- Single Head Square
- Round Multi 2 Heads
- Square Multi 2 Heads
- Round Multi 3 Heads
- Square Multi 3 Heads
- Round Multi 4 Heads
- Square Multi 4 Heads
- Round Multi 4 Heads Square
- Square Multi 4 Heads Square

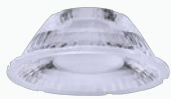


5CCT & Multi Dim to Warm Colors

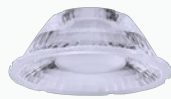
Set to	2700K	3000K	3500K	4000K	5000K
At CCT setting	2700 Kelvin	3000 Kelvin	3500 Kelvin	4000 Kelvin	5000 Kelvin
At Dim to warm setting	2500K - 1800K	2700K - 1800K	3000K - 1800K	3500K - 1800K	4000K - 1800K

Lens Options

Clear Lens



G-11022
L4/24-DEGREE



G-11023
L4/40-DEGREE



G-11024
L4/60-DEGREE



G-11020
L4/FROSTED/80°

Frosted Lens

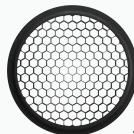
Reflector Lens



G-11025
L4/REFLECTOR/30°



G-11026
L4/REFLECTOR/60°



G-21440
4/HEX/HC/DIFFUSER

Diffuser

Lens Covers



G-21427
4/SOLITE LENS



G-21428
4/PRISMATIC LENS



G-21429
4/BEAMSPLIT LENS

Accessories



Emergency LED Driver

25W G-95525
30W G-48411
60W G-95521



Multi Driver Converter

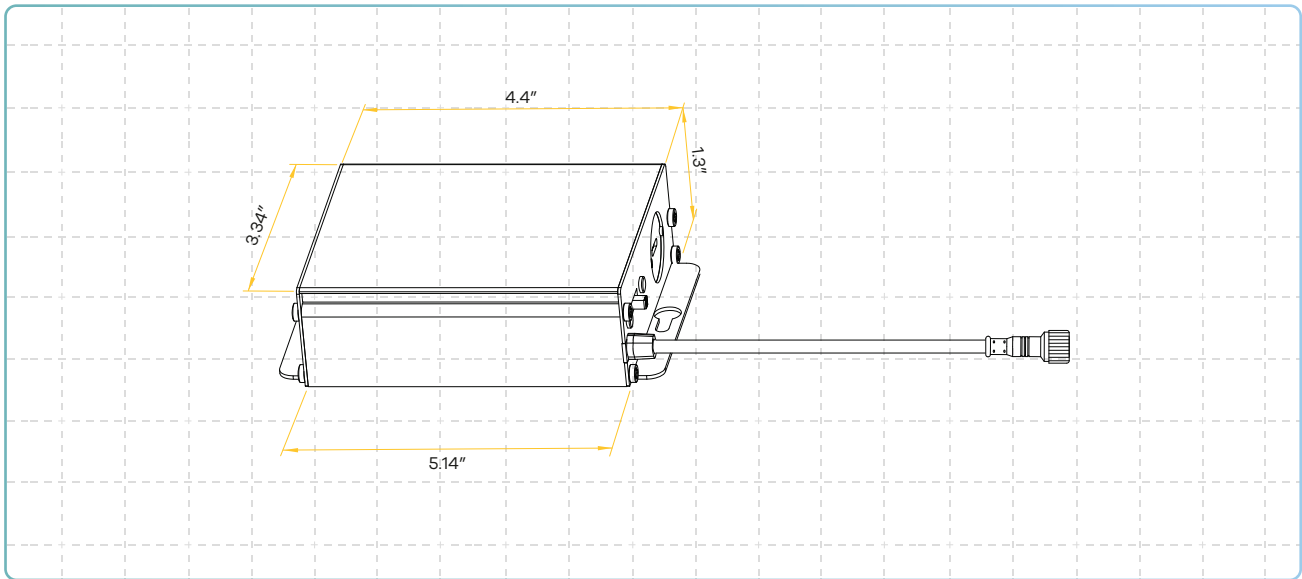
12W G-95824



Extension Cords

5ft G-20247
10ft G-20248
20ft G-19822
30ft G-19823

Driver Dimensions



Dimmer List

Brand	Load	Model	
LUTRON	150W	LECL-153P	
		CTCL-150H	
		LGCL-153PLH	
		CTCL-153P	
		SCL-153P	
		PD-6WCL	
		PD-5NE	
		DVCL-153P	
		TGCL-153P	
		AYCL-153P	
		MSCL-OP153M	
		STCL-153M	
		DVRF-6L	
		250W	PD-10NXD
			DVCL253
	DVRP-253		
	300W	MRF2S-6CL	
		DVELV-300P	
	600W	SELVB-300P	
		MACL-153M	
		MRF2-600M	
		DVLV603	
			MA-600

Brand	Load	Model
LEVITON	150W	IPL06
		6672
		6674
		RDL06-10Z
	300W	RNL06-10Z
		DSL06-1LZ
		D26HD
PASS & SEYMOUR	250W	LSCL450W
		WSCL450W
EATON	300W	DDE06-BLZ
		AAL06

0-10V Dimming	
Brand	Model
LUTRON	DVSTV
	DVSCTV
LEVITON	IP710-DLZ
	DS710-10Z
LEGRAND	RH4FBL3P
COOPER	SF10P