

Astrofit 4"

Interchangeable Retrofit Module

Product Information

Description	M/R4/10W/LED/5CCT
Color temp	27, 30, 35, 41, 50k
Output lumens	1000
Beam angle	40° (Default)
Input volts	120V
Wattage	10W
CRI	90+
Dimmable	Triac
Base Type	E26
OD	5.31"
Height	3.35"
Packed	18

E26 Medium Adapter

G-21400

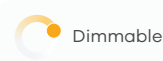
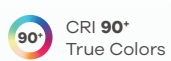
5 Selectable Color



[See other Module options](#)

Trim Options

[Round/Square Trims](#)



Lens Options

Clear Lens



G-11022
L4/24-DEGREE



G-11023
L4/40-DEGREE



G-11024
L4/60-DEGREE

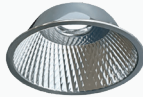


G-11020
L4/FROSTED/80°

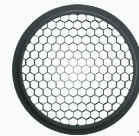
Reflector Lens



G-11025
L4/REFLECTOR/30°



G-11026
L4/REFLECTOR/60°



G-21440
4/HEX/HC/DIFFUSER

Lens Covers



G-21427
4/SOLITE LENS



G-21428
4/PRISMATIC LENS



G-21429
4/BEAMSPLIT LENS

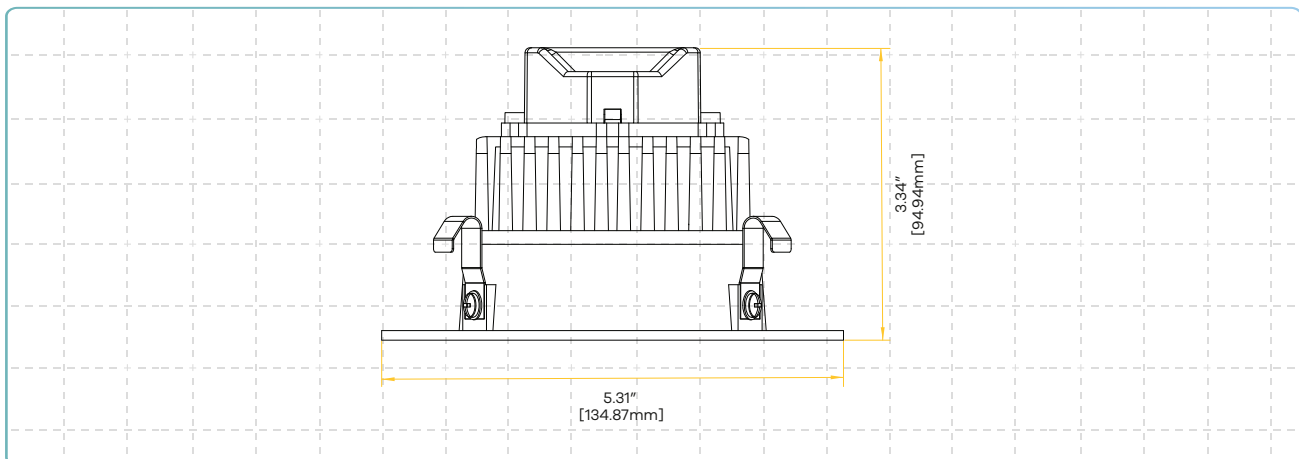
Accessories



Emergency LED Driver

15W G-48410
25W G-95525
30W G-48411
60W G-95521

Dimensions



Dimmer List

Brand	Load	Model	
LUTRON	150W	LECL-153P	
		CTCL-150H	
		LGCL-153PLH	
		CTCL-153P	
		SCL-153P	
		PD-6WCL	
		PD-5NE	
		DVCL-153P	
		TGCL-153P	
		AYCL-153P	
		MSCL-OP153M	
		STCL-153M	
		DVRF-6L	
		250W	PD-10NXD
	DVCL253		
	DVRP-253		
	300W	MRF2S-6CL	
		DVELV-300P	
	600W	SELVB-300P	
		MACL-153M	
		MRF2-600M	
		DVLV603	
			MA-600

Brand	Load	Model
LEVITON	150W	IPL06
		6672
		6674
		RDL06-10Z
	300W	RNL06-10Z
		DSL06-1LZ
		D26HD
PASS & SEYMOUR	250W	LSCL450W
		WSCL450W
EATON	300W	DDE06-BLZ
		AAL06

0-10V Dimming	
Brand	Model
LUTRON	DVSTV
	DVSCTV
LEVITON	IP710-DLZ
	DS710-10Z
LEGRAND	RH4FBL3P
COOPER	SF10P