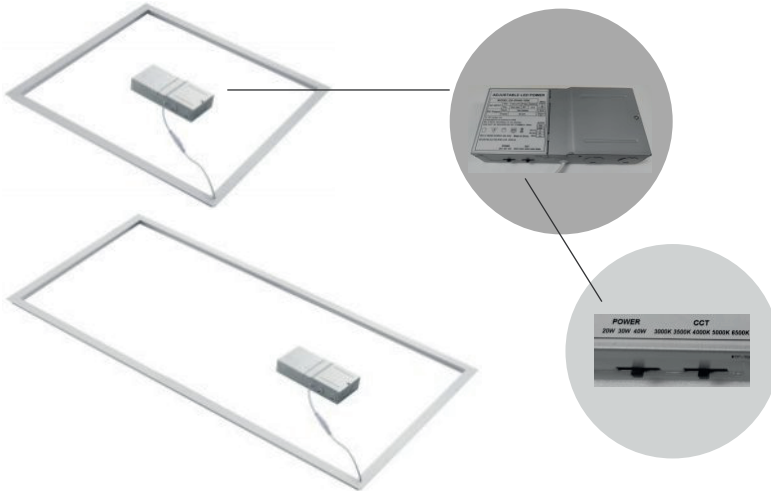


# EQUATOR FRAME PANEL

## INSTALLATION INSTRUCTIONS



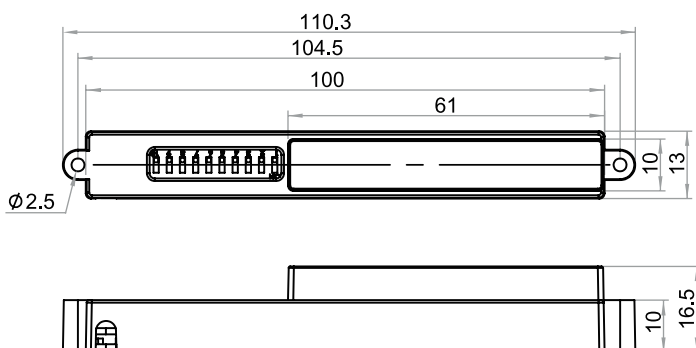
### SPECIFICATIONS

<b>Power Supply</b>	12V .24 DC, >50mA
<b>Hf System</b>	5.8GHz 75MHz
<b>Dim Control Output</b>	0-10V, max. 25mA sinking current
<b>Detection Radius/Angle</b>	Max 17ft. (5.2m)/360
<b>Mounting Height</b>	Max 13ft(4m)
<b>Remote Range</b>	50ft. (15m) indoor, no backlight
<b>Humidity</b>	Max. 95% RH
<b>Temperature</b>	-40 F ~ 158 F (-40 C ~ 70 C)

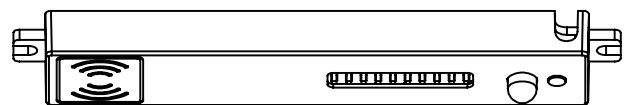
### Parameter

MODEL	G-12120 1X4	G-12121 1X4	G-12122 2X2	G-12123 2X2	G-12124 2X4	G-12125 2X4
<b>DESCRIPTION</b>	1X4 FRAME PANEL 5CCT-3WS	1X4 FRAME PANEL 5CCT-3WS +EM	2X2 FRAME PANEL 5CCT-3WS	2X2 FRAME PANEL 5CCT-3WS +EM	2X4 FRAME PANEL 5CCT-3WS	2X4 FRAME PANEL 5CCT-3WS +EM
<b>COLOR TEMP</b>	30, 35, 41, 50, 65K	30, 35, 41, 50, 65K	30, 35, 41, 50, 65K	30, 35, 41, 50, 65K	30, 35, 41, 50, 65K	30, 35, 41, 50, 65K
<b>WATTAGE</b>	20/30/40W	20/30/40W	20/30/40W	20/30/40W	20/30/40W	20/30/40W
<b>OUTPUT LUMEN</b>	2600/3900/5200	2600/3900/5200	2600/3900/5200	2600/3900/5200	2600/3900/5200	2600/3900/5200
<b>INPUT VOLTS</b>	120-277	120-277	120-277	120-277	120-277	120-277
<b>CRI</b>	80	80	80	80	80	80
<b>DIMMABLE</b>	0-10V Dimming	0-10V Dimming	0-10V Dimming	0-10V Dimming	0-10V Dimming	0-10V Dimming
<b>DIMENSIONS</b>	11.75" x 47.75"	11.75" x 47.75"	11.75" x 47.75"	11.75" x 47.75"	11.75" x 47.75"	11.75" x 47.75"
<b>HEIGHT</b>	1.2mm	1.2mm	1.2mm	1.2mm	1.2mm	1.2mm
<b>PACKED</b>	6	6	6	6	6	6

### Dimensions

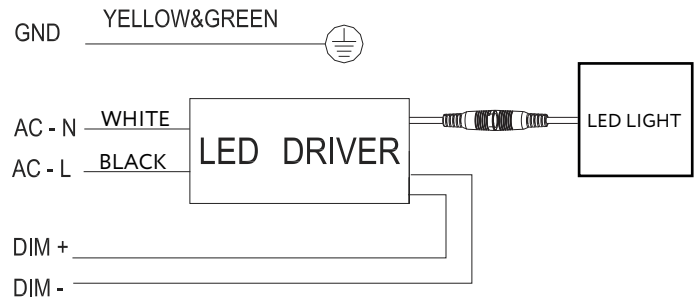
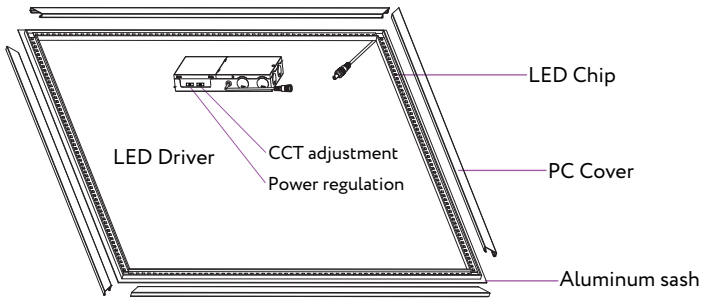


**NOTE:** The high-frequency output of this sensor is <0.2mW—that is just one 5000<sup>th</sup> of the transmission power of a mobile phone or the output of a microwave oven.



Transmission Power <0.2mW

## Mounting Guide

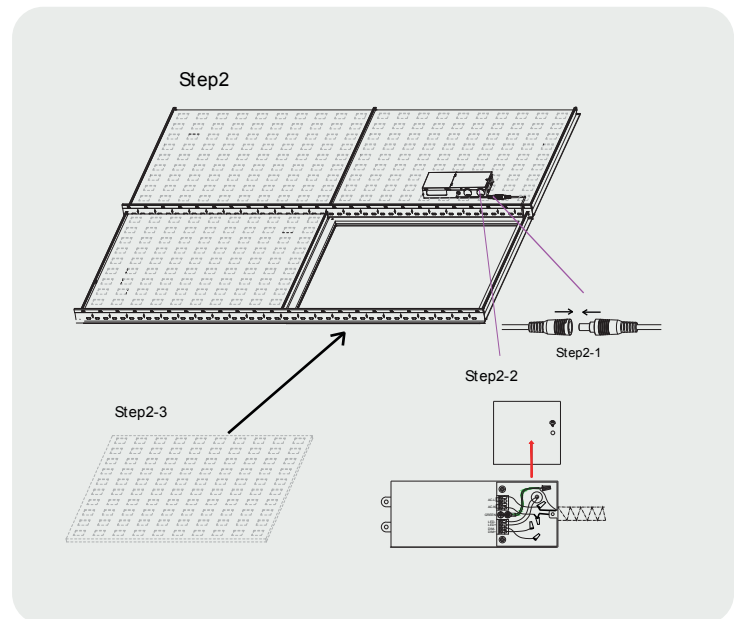
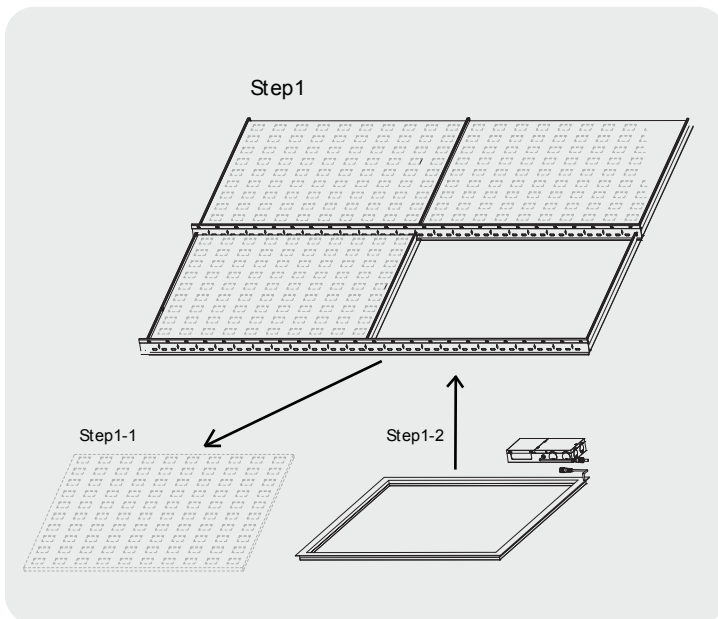


## Installation Instructions

**Step 1:** Make sure of all the power is off before installing. Remove the one ceiling tile that you need to install light fixture on. Then place the light fixture on the T-bar carefully and make sure it is correctly in place and secure.

**Step 2:** Lift the 4 buckles on the back of the panel up by 90° then bend the top part of the buckles 90° towards the direction where you can anchor the light fixture to the T-bar.

**Step 3:** Place the driver on top of the lighting fixture in the back. Connect the cable between the driver and the lighting fixture. Open the driver's junction box and connect the AC wire to the driver correctly (L=black & N=white)



- Notice:**
1. Please make sure the power is off before installation (this installation can only be done by certified electricians)
  2. Adjust the wattage and kelvin to your desired setting on the driver.
  3. Product rated voltage is 100-277Volts. Please make sure voltage range meets the requirements.
  4. Please don't use chemicals to clean the lighting surface.