

ASTER 4" 15W

INSTALLATION INSTRUCTIONS

- ⓘ IMPORTANT** Read all instructions before installing plate. Retain for future reference.
- ⚠ SAFETY:** Turn the power off at main fuse/breaker panel before attempting any electrical work. This luminaire must be wired in accordance with local electrical codes and ordinances. Grounding connections should be done in the detachable junction box.
- ⚠ WARNING:** Make sure the power is OFF from the electrical panel before starting installation or attempting any maintenance.

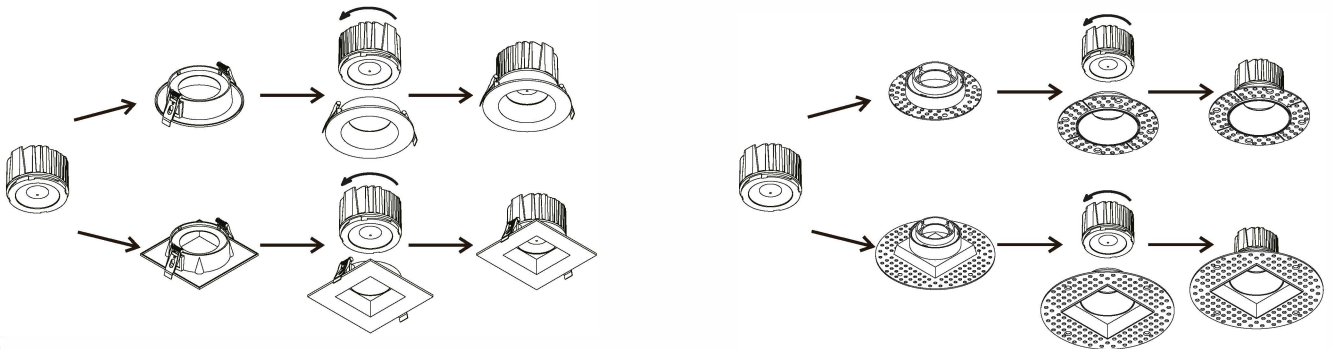
DRIVER	Model	G-10020
	Input	120-277V AC 50/60Hz
	Output	33-38V DC 210MA/350MA
	Lamp Life	50000 Hours
	Operating Temperature	-40°C to +40°C
	Dimming	Triac dimming (120V AC input only) 0-10V dimming (120-277V AC input)
	DC Wire Type	FT6 DC Wire
	Wire Space	6.2 Cubic inch
LIGHT	Energy used	9W / 15W
	Luminous Flux	1000LM(9W) / 1650LM(15W)
	Equivalent to:	100W/160W halogen
	CCT Options	27K-30K-35K-40K-50K
	Beam Angle	60 Degree
	CRI	Ra>90
	Approved Location	Wet
	Dim to Warm	Multi color select (see below for details)

Dimmer Compatibility List (Triac Dimming)			
Brand	Model	Load (W)	G-10020
LUTRON	LECL-153P	150W	1-9
	CTCL-150H	150W	1-9
	LGCL-153PLH	150W	1-9
	CTCL-153P	150W	1-9
	SCL-153P	150W	1-9
	PD-6WCL	150W	1-9
	PD-5NE	150W	1-9
	DVCL-153P	150W	1-9
	DVRF-6L	150W	1-9
	TGCL-153P	150W	1-9
	AYCL-153P	150W	1-9
	STCL-153M	150W	1-9
	MRF2S-6CL	150W	1-9
	MSCL-OP153M	150W	1-9
	PD-10NXD	250W	1-13
	DVCL253	250W	1-13
	DVRP-253	250W	1-13
	DVELV-300P	300W	1-13
	SELVB-300P	300W	1-13
	MRF2-600M	600W	1-13
	MA-600	600W	1-13
	MACL-153M	600W	1-13
	MRF2-600M	600W	1-13
	DVLV603	600W	1-13
	MA-600	600W	1-13

Dimmer Compatibility List (Triac Dimming)			
Brand	Model	Load (W)	G-10020
LEVITON	IPL06	150W	1-9
	6672	150W	1-9
	6674	150W	1-9
	RDLO6-10Z	150W	1-9
	RNLO6-10Z	150W	1-9
	DSL06-1LZ	300W	1-13
PASS & SEYMOUR	D26HD	300W	1-13
	LACL450W	250W	1-13
EATON	WACL450W	250W	1-13
	DDE06-BLZ	300W	1-13
	AAL06	300W	1-13

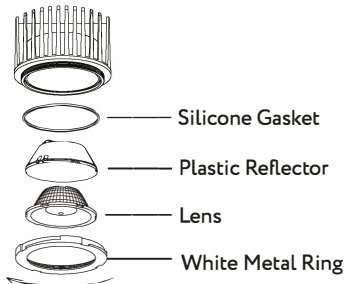
Dimmer Compatibility List (0-10V Dimming)	
Brand	Model
LUTRON	DVSTV
	DVSCTV
LEVITON	IP710-DLZ
	DS710-10Z
LEGRAND	RH4FBL3P
COOPER	SF10P

Fixture Assembly



Changing Different Beam Angle Lens

(Remark: The default lens' beam angle is 40degree, other beam angle lens are not included)



1. Twist the white metal ring counterclockwise to take it off.
2. Twist the lens counterclockwise to take it out.
3. Take out the default lens from the plastic reflector and install your target lens.
4. Install the reflector and lens back into the module by twist them clockwise.
5. Twist the white metal ring onto the module to fix the lens well.

New Function-5CCT+5DTW

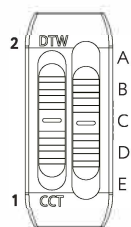
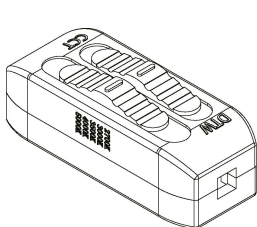
Change between CCT and DTW function to set the desired light.

1. CCT color select

- A. Sets to 2700K.
- B. Sets to 3000K.
- C. Sets to 3500K.
- D. Sets to 4000K.
- E. Sets to 5000K.

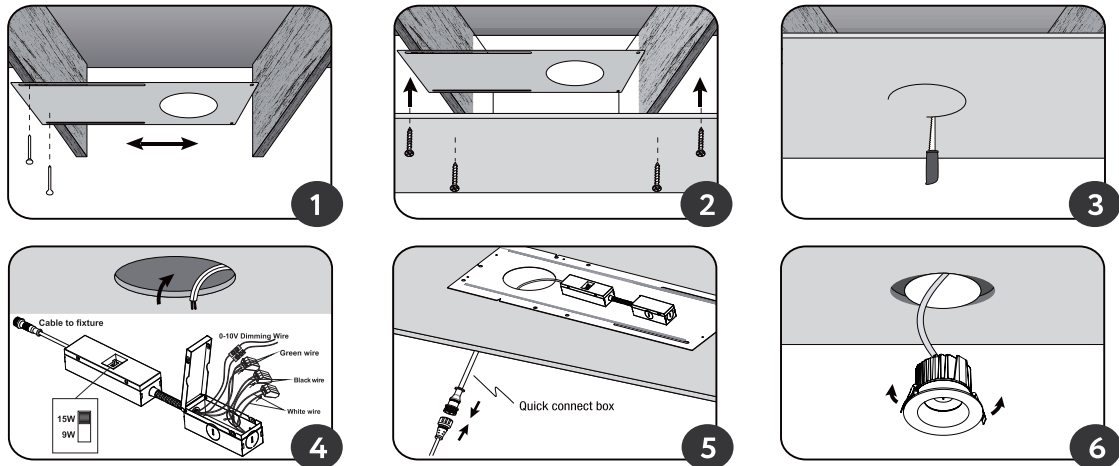
2. DTW (dim to warm)

- A. Sets to 2500K dims down to 1800K.
- B. Sets to 2700K dims down to 1800K.
- C. Sets to 3000K dims down to 1800K.
- D. Sets to 3500K dims down to 1800K.
- E. Sets to 4000K dims down to 1800K.



Installation

1. Nail-in the mounting plate to the ceiling joist. Measure the position of the opening on the mounting plate from each wall. (Fig.1)
2. Install the drywall on to the ceiling. (Fig.2)
3. Cut-out a circle where the mounting plate opening is located. (Fig.3)
4. Pull the supply wire through the cut-out hole. Do the electrical supply connection in the detachable junction box (Note: A licensed electrician must do the connections as per the local electrical code). Insert the junction box into the ceiling. (Fig.4)
5. Do the connection to the luminaire and close the quick connect box. (Fig.5)
6. **New construction applications:** Hardwire box shall be firmly secured to studs, joists, or similar fixed structural units
7. **Remodel applications:** Do not require the hardwire box to be firmly secured after the mounting plates, studs, joists, or structural units that have been concealed. Snap off the hardwire box tabs then insert into ceiling FIG 4
8. Push the spring clips upwards and push the luminaire into the cut hole of the ceiling. Release the spring clips and align the luminaire to sit properly over the ceiling cut hole. (Fig.6)
9. Switch on the supply breaker and turn on the luminaire.



Triac DIMMING (120V only): We recommend LED/CFL dimmers that have a low range adjustment dial. After all fixtures are connected to the dimmer, adjust the dial to the lowest position before the lights start to flicker or shut down. This setting depends on the local voltage and number of fixtures per dimmer. For a typical LED dimmer rated for 150W LED load the maximum number of fixtures per dimmer.

0-10V DIMMING (120-277V AC): The dimming control wires are Grey/Pink wire (dim-) and Purple wire (dim+). Please connect the 0-10V dimmer and the driver purple wire to purple wire and Grey/Pink wire to Grey/Pink wire with the supplied block.

WARNING: DO NOT USE ANY OTHER DRIVERS EXCEPT THE DRIVERS THAT ARE INCLUDED WITH THE FIXTURE. DO NOT CONNECT MULTIPLE FIXTURES TO ONE DRIVER. DO NOT OPEN THE LIGHT FIXTURE OR THE SIDE PLATES OF THE DRIVER - NO SERVICEABLE PARTS INSIDE.

MANUFACTURER'S LIMITED WARRANTY

Your Product, when delivered to you in new condition and in original packaging, is warranted against defects in materials and workmanship as follows for a period of 3 years from the date of the original purchase. Defective products returned and proven to be defective upon inspection will be repaired, replaced with a new Product or a credit will be issued against original invoice at the discretion of manufacturer.

To avoid any doubt, "the replacement Product" does not include any removal or installation costs or expenses, including without limitation labor costs or expenses, shipping costs to return defective products or any damages that may occur during the return of product. This limited warranty is subject to the following additional conditions:

1. Products must have been installed and operated in accordance with manufacturer's instructions.
2. Products have not been subjected to accident, neglect, abuse, misuse, lightning, electrical surges or acts of God.
3. The Product has been purchased directly from an authorized distributor.
4. Purchase receipt or invoice is available for inspection.
5. This warranty is limited to Products purchased for use in regions that are within jurisdiction of Canada and USA.

This device complies with part 15 of the FCC rules. Operation is subject to the following two conditions:

- (1) This device may not cause harmful interference.
- (2) This device must accept any interference received, including interference that may cause undesired operation.

THE FOREGOING WARRANTY IS EXCLUSIVE, AND THE SOLE REMEDY FOR ANY AND ALL CLAIMS. IN NO EVENT WILL THE MANUFACTURER BE LIABLE FOR ANY SPECIAL, COMPENSATORY, INDIRECT, PUNITIVE, OR INCIDENTAL OR CONSEQUENTIAL DAMAGES INCLUDING, WITHOUT LIMITATION, DAMAGES RESULTING FROM LOSS OF USE, PROFITS, BUSINESS OR GOODWILL, WHETHER OR NOT THE MANUFACTURER HAS BEEN ADVISED OF THE POSSIBILITY THEREOF.