

Aster 2 Inch HO Instruction Sheet

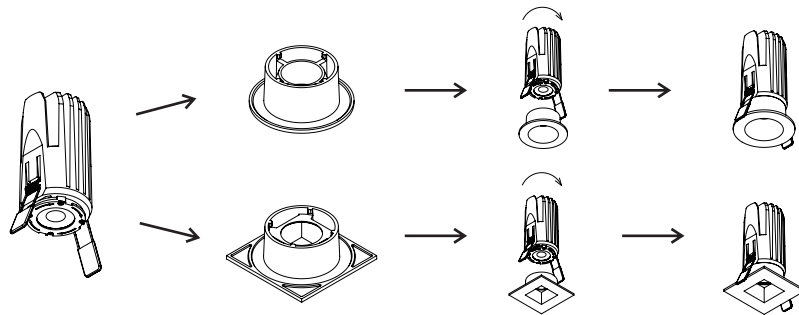
- IMPORTANT** Read all instructions before installing plate. Retain for future reference.
- SAFETY:** Turn the power at off main fuse/breaker panel before attempting any electrical work. This luminaire must be wired in accordance with local electrical codes and ordinances. Grounding connections should be done in the detachable junction box.
- WARNING:** Make sure the power is OFF from the electrical panel before starting or installation attempting any maintenance.

	Model G-20213	
	Input	120V AC 60Hz
DRIVER	Output	33-38V DC 340mA
	Lamp Life	50000 Hours
	Operating Temperature	-40° to +40°
	Energy used	14W IC Rated / 20W Non-IC
LIGHT	Luminous Flux	1100LM(14W) / 1700LM(20W)
	Equivalent to:	120W/180W halogen
	CCT Options	27K/30K/35K/40K/50K
	Beam Angle	60 Degree
	CRI	Ra>90
	Approved Location	WET
	OD	3.15"(80MM)
MOUNTING	ID	2.28"(58MM)
	Thickness	5.5"(140MM)
	Cut Out	2.55"(65MM)

Cautions: Please make sure the lights were applied under Non-IC Conditions when you choose 20W in the Junction Box.

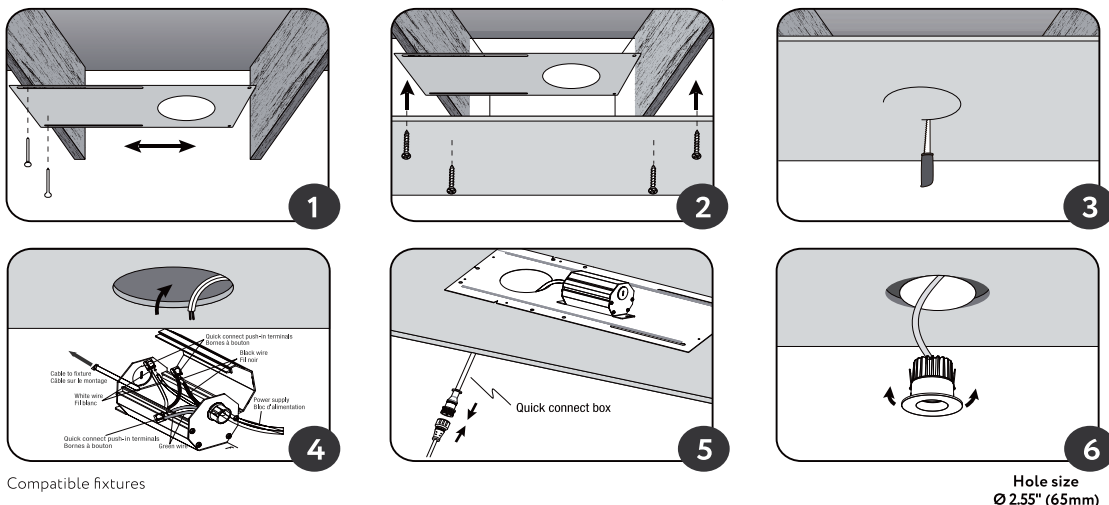
Dimmer Compatibility List for LED Recessed Lights. Dimmable down to 10%						
Brand	Family	Model	Load (W)	G-20213 (14W)	G-20213 (20W)	
LUTRON	Skylark Contour	LECL-153P	150W	1-10	1-7	
		CTCL-150H	150W	1-10	1-7	
		LGCL-153PLH	150W	1-10	1-7	
		CTCL-153P	150W	1-10	1-7	
		SCL-153P	150W	1-10	1-7	
		S-600P	600W	1-14	1-9	
	Caseta	PD-6WCL	600W	1-14	1-9	
		PD-5NE	150W	1-10	1-7	
		PD-10NXD	250W	1-14	1-9	
		DIVA	DVCL-153P	150W	1-10	1-7
		Toggle	TGCL-153P	150W	1-10	1-7
		Ariadni	AYCL-153P	150W	1-10	1-7
Maestro	MACL-153M	150W	1-10	1-7		
LEVITON	Illuminatech	IPL06	150W	1-10	1-7	
	SureSlide	6672	150W	1-10	1-7	
EATON	Smart Dimmer	AAL06	300W	1-14	1-9	

Fixture Assembly



Installation

- Nail-in the mounting plate to the ceiling joist. Measure the position of the opening on the mounting plate from each wall. (Fig.1)
- Install the drywall on to the ceiling. (Fig.2)
- Cut-out a circle where the mounting plate opening is located. (Fig.3)
- Pull the supply wire through the cut-out hole. Do the electrical supply connection in the detachable junction box (Note: A licensed electrician must do the connections as per the local electrical code). Insert the junction box into the ceiling. (Fig.4)
- Do the connection to the luminaire and close the quick connect box. (Fig.5)
- New construction applications:** Hardwire box shall be firmly secured to studs, joists, or similar fixed structural units
- Remodel applications:** Do not require the hardwire box to be firmly secured after the mounting plates, studs, joists, or structural units that have been concealed. Snap off the hardwire box tabs then insert into ceiling FIG 4
- Push the spring clips upwards and push the luminaire into the cut hole of the ceiling. Release the spring clips and align the luminaire to sit properly over the ceiling cut hole. (Fig.6)
- Switch on the supply breaker and turn on the luminaire.



Compatible fixtures

Hole size
Ø 2.55" (65mm)