

4" Interchangeable Retrofit Module

Installation Instructions

WARNING : These products may represent a possible shock or fire hazard if improperly installed or attached in any way. Products should be installed in accordance with these instructions, current electrical codes and/or the current National Electric code(NEC).

Electrical Parameters	Model	G-21400
	Input	120 V AC 60Hz
	Output	33-38V DC 230MA
	Lamp Life	50,000 Hours
	Operating Temperature	-40°C to +40°C
	Dimming	Triac dimming
	Energy used	10 W
	Luminous Flux	1000LM
	Equivalent to:	100W halogen
	CCT Options	27K-30K-35K-40K-50K
	Beam Angle	40 Degree
	CRI	Ra>90
	Approved Location	Wet

Dimmer Compatibility List for LED Recessed Lights. Dimmable down to 10%				
Brand	Family	Model	Load (W)	G-21400
LUTRON	Skylark Contour	LECL-153P	150W	1-14
		CTCL-150H	150W	1-14
		LGCL-153PLH	150W	1-14
		CTCL-153P	150W	1-14
		SCL-153P	150W	1-14
		S-600P	600W	1-20
	Caseta	PD-6WCL	600W	1-20
		PD-5NE	150W	1-14
		PD-10NXD	250W	1-20
		DIVA	DVCL-153P	150W
Toggler	TGCL-153P	150W	1-14	
Ariadni	AYCL-153P	150W	1-14	
Maestro	MACL-153M	150W	1-14	
LEVITON	Illuminatech	IPL06	150W	1-14
	SureSlide	6672	150W	1-14
EATON	Smart Dimmer	AAL06	600W	1-20

Installation

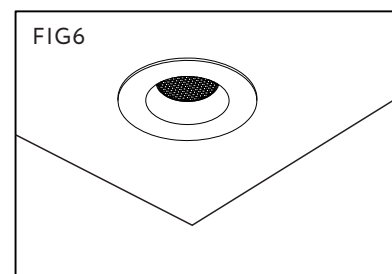
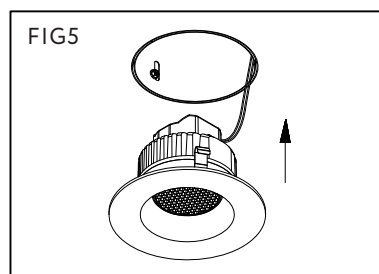
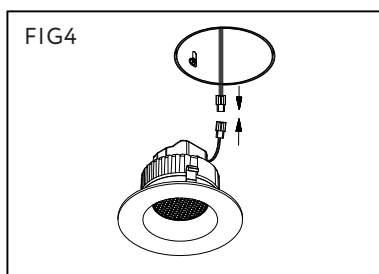
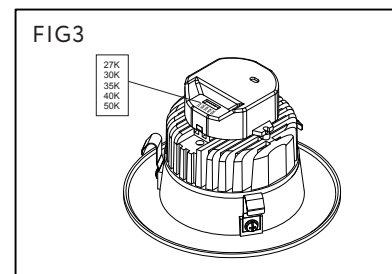
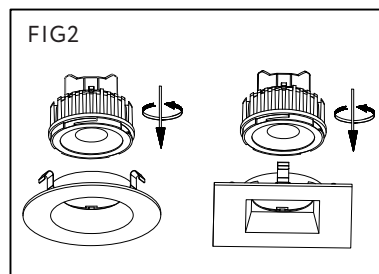
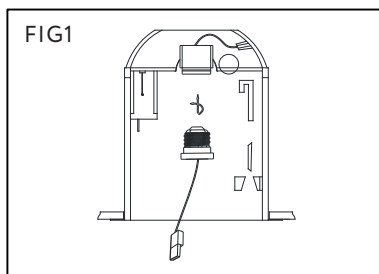
Important: This retrofit kit is suitable for 4" recessed housing

Warning:

1. Risk of fire and electrical shock, LED retrofit kit installation requires knowledge of luminaires electrical system. Contact a qualified electrician.
2. Do not alter, relocate or remove wiring, lamp holder, power supply or any other electrical components.
3. To prevent electrical shock, please wear rubber shoes and work gloves when installing the retrofit kit.

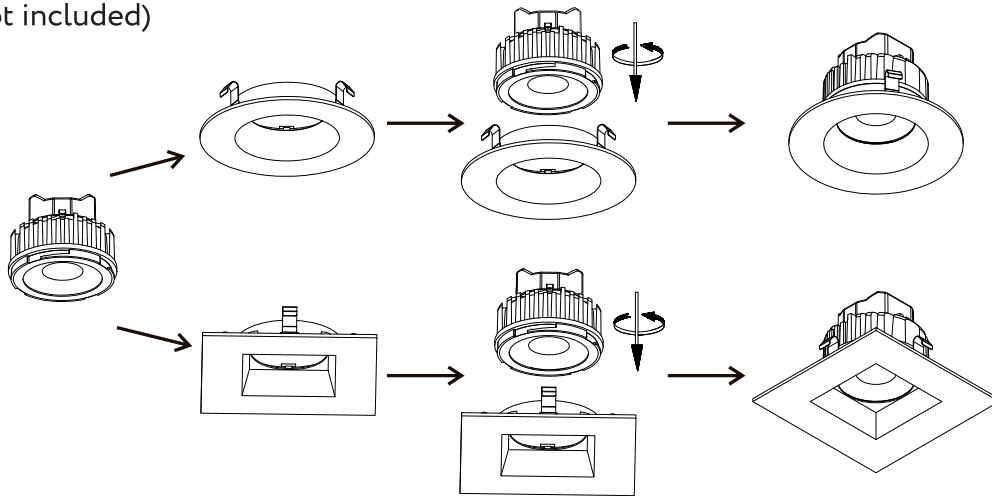
Installation Steps:

1. Turn off the power before installation. Remove the existing bulb and if necessary remove the existing trim.
2. Twist the lamp base into the E26 lamp holder. (Fig 1).
3. Twist the trim onto the LED module and make sure they are well connected. (Fig 2).
4. Choose your target CCT on the back of the LED module (Fig 3)
5. Plug the lamp connector with lamp holder connector. (Fig 4)
6. Tuck all the wires carefully into the can push the retrofit kit into the can until flush with the ceiling. (Fig 5).
7. Turn on the power to operate the unit.



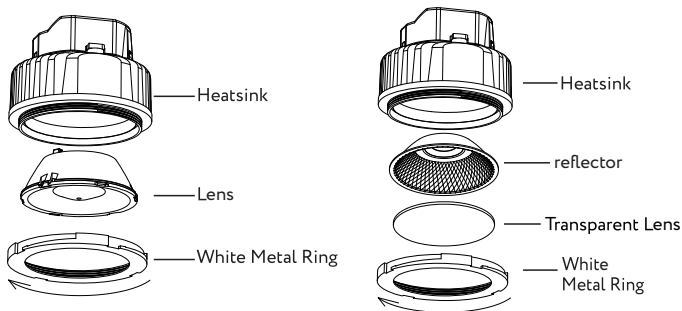
Fixture Assembly

(Trim is not included)



Changing Different Beam Angle Lens and Reflector

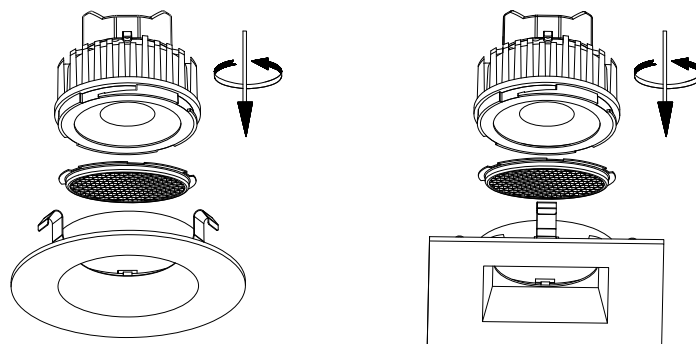
(Remark: G-21400 's default beam angle is 40degree, other beam angle lens and Reflector are not included)



1. Twist the white metal ring anticlockwise and take off it. Then twist the default lens anticlockwise and take out it.
2. Install your target beam angle lens or reflector back to the module.
3. Twist the white metal ring clockwise to fixing the lens or reflector well.

Installing the honeycomb into the Module

(honeycomb is not included)



1. Put the honeycomb into the trim.
2. Twist the module clockwise onto the trim.