

# 4" Interchangeable Low Voltage Retrofit Module

## Installation Instructions

**WARNING :** These products may represent a possible shock or fire hazard if improperly installed or attached in any way. Products should be installed in accordance with these instructions, current electrical codes and/or the current National Electric code(NEC).

Electrical Parameters	Model	<b>G-21405</b>
	Input	12V AC / DC
	Output	33-38V DC 230MA
	Lamp Life	50,000 Hours
	Operating Temperature	-40°C to +40°C
	Dimming	Not Dimmable
	Energy used	10 W
	Luminous Flux	1000LM
	Equivalent to:	100W halogen
	CCT Options	27K-30K-35K-40K-50K
	Beam Angle	40 Degree
	CRI	Ra>90
	Approved Location	Wet

## Installation

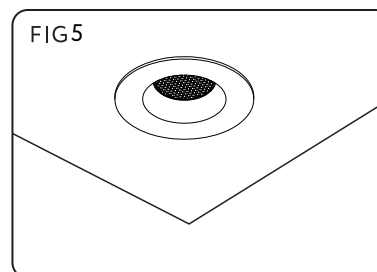
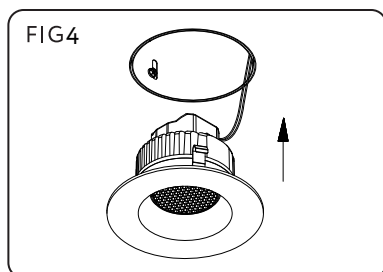
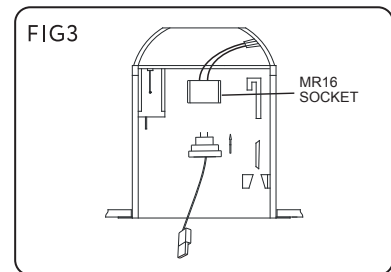
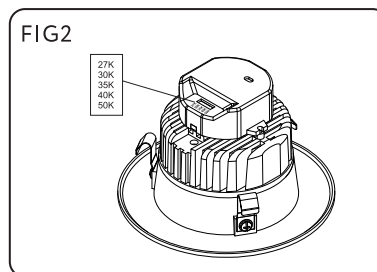
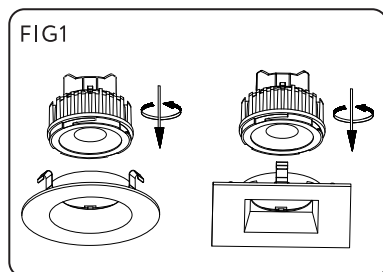
**Important:** This retrofit kit is suitable for 4" recessed housing

### Warning:

1. Risk of fire and electrical shock, LED retrofit kit installation requires knowledge of luminaire's electrical system. Contact a qualified electrician.
2. Do not alter, relocate or remove wiring, lamp holder, power supply or any other electrical components.
3. To prevent electrical shock, please wear rubber shoes and work gloves when installing the retrofit kit.

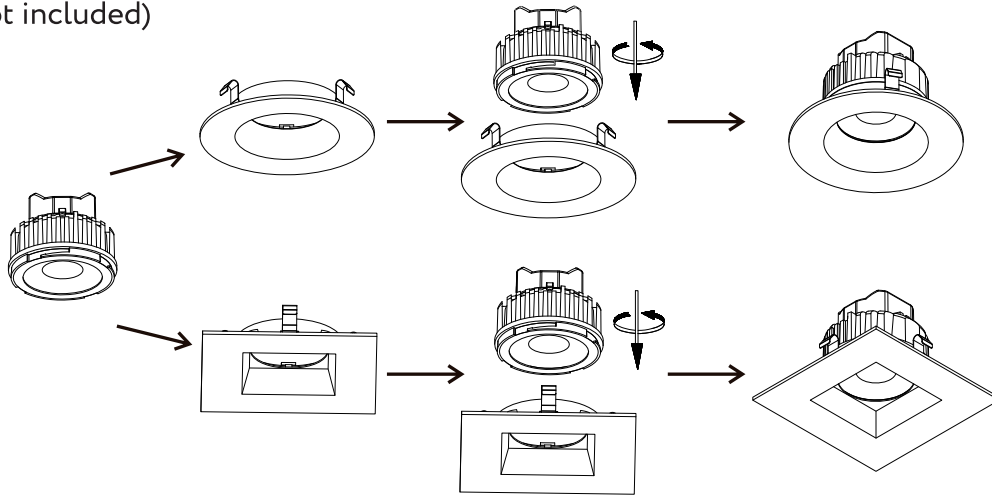
### Installation Steps:

1. Turn off the power before installation. Remove the existing bulb and if necessary remove the existing trim.
2. Twist the trim onto the LED module and make sure they are well connected. (Fig 1).
3. Choose your target CCT on the back of the LED module (Fig 2).
4. Push the lamp base into the MR16 lamp socket. (Fig 3).
6. Tuck all the wires carefully into the can and push the retrofit kit into the can until flush with the ceiling. (Fig 4).
7. Turn on the power to operate the unit.



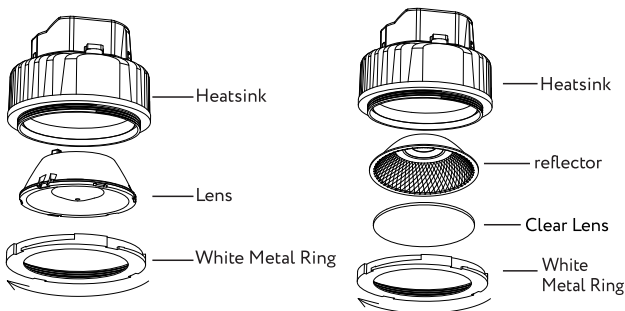
## Fixture Assembly

(Trim is not included)



## Changing Different Beam Angle Lens and Reflector

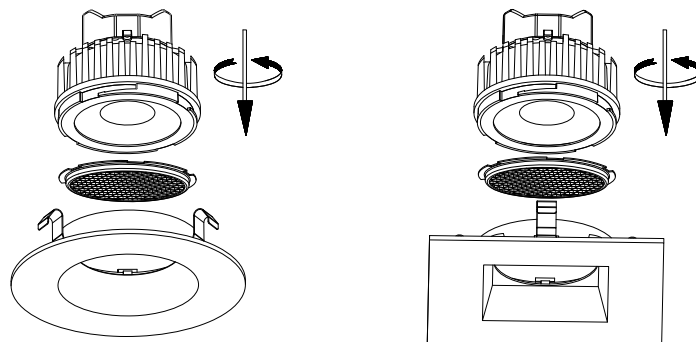
(Remark: G-21405's default beam angle is 40degree, other beam angle lens and Reflector are not included)



1. Remove the white ring by twisting it counterclockwise. Twist the default lens counterclockwise to take it out.
2. Install your target beam angle lens or reflector back to the module.
3. Twist the white metal ring clockwise to fix the lens or reflector well.

## Installing the honeycomb into the Module

(honeycomb is not included)



1. Put the honeycomb into the trim.
2. Twist the module clockwise onto the trim.