

Electronic Driver

120W 24V (multi dimming)

Product Information

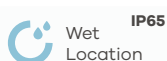
| | |
|---------------|---|
| Description | 120W/24V/ECV/Driver |
| Input volts | 100/277V |
| Input wattage | 120W |
| Output volts | 24V |
| Minimum load | 20% |
| Dimmable | Triac / Phase, 0-10V, 1-10V, Potentiometer, 10V PWM |
| Warranty | 5 Years |
| Height | 1.53" |
| Length | 8.07" |
| Width | 2.54" |
| Pack | 10 |

G-97612



Product Information

| Output | | Input | |
|--------------------|-------|-----------------|---------------------------------|
| DC voltage | 24V | Voltage range | 100-277 VAC |
| Voltage tolerance | ±0.5V | Frequency range | 47-63 Hz |
| Voltage regulation | ±0.5% | Power factor | 0.98 @ 120 VAC / 0.95 @ 277 VAC |
| Rated current | 4.17A | THD | <20% @ 120 VAC & 277 VAC |
| Rated power | 120W | Efficiency | 83% @ 120 VAC / 86% @ 277 VAC |
| Load regulation | ±1% | AC current | 1.4A @ 100 VAC |
| | | Inrush current | 25A, 50% 1.2MS @ 277 VAC |
| | | Leakage current | <0.5mA |



Product Information

Protection

| | |
|------------------|---|
| Short circuit | Shut down O/P voltage, re-power on to recover after fault condition removed |
| Over load | ≤120% constant current limiting, auto-recovery |
| Over temperature | 100°C ± 10°C shut down O/P voltage, automatically recover after cooling |

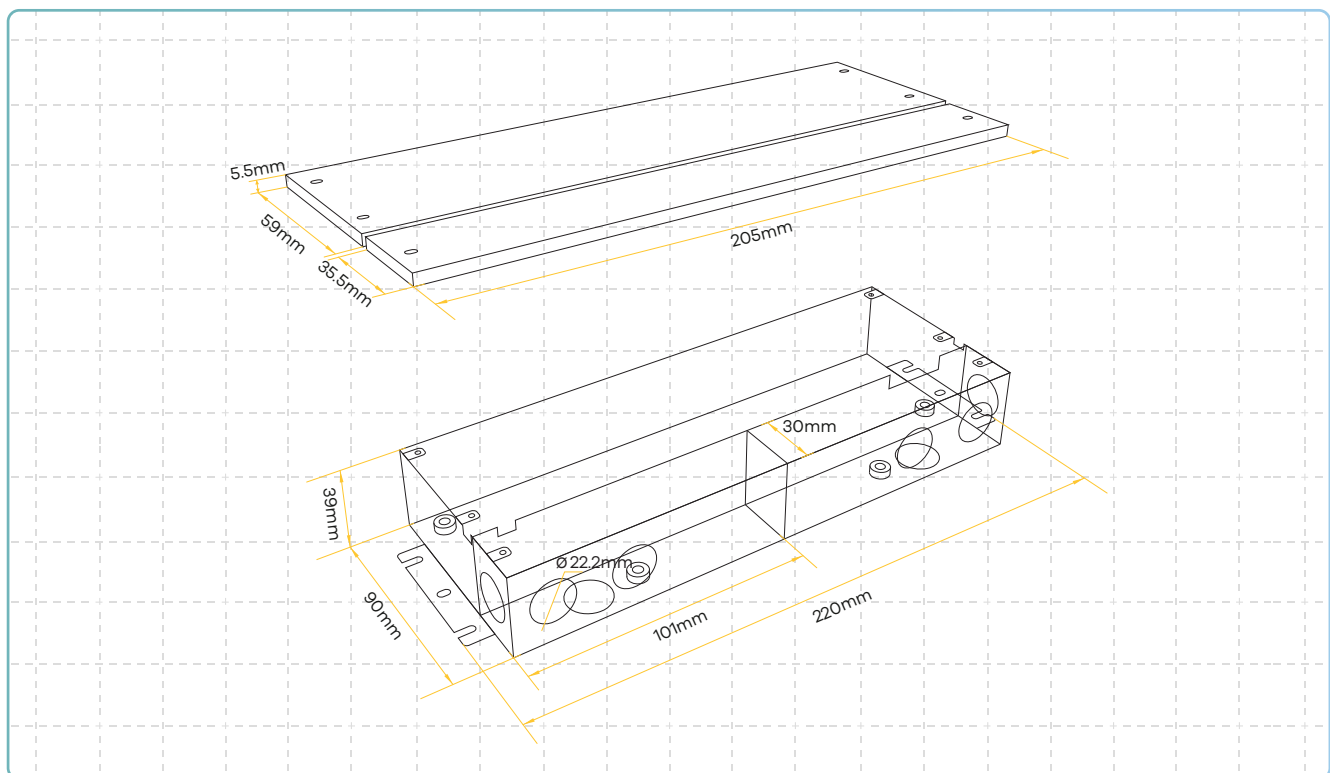
Environment

| | |
|------------------------|--|
| Working temp | -40~+140°F (-40~60°C) *See derating curve |
| Working humidity | 20~95% RH, non-condensing |
| Storage tem., humidity | -40- +176°F (-40~80°C), 10-95%RH |
| Temp coefficient | ±0.03% /°C (0-50°C) |
| Vibration | 10~500HZ, 5G 10 min/1 cycle, period for 60 min each along X,Y,Z axes |

Safety & EMC

| | |
|----------------------|------------------------------------|
| Safety standards | UL8750, CAN/CSA-C22.2 No. 250.13 |
| Withstand voltage | I/P - O/P: 1.8 KVAC |
| Isolation resistance | I/P - O/P: 100MΩ/500VDC/25°C/70%RH |
| EMC emission | FCC 47 CFR PART 15, SUBPART B |

Dimensions



Voltage Drop Table

| Wire Gauge | 30W (G-97620) (1.25A) | 60W (G-97621) (2.5A) | 96W (G-97525) (4A) | 100W (G-97622) (4.16A) | 120W (G-97612) (5A) | 150W (G-97623) (6.25A) | 200W (G-97624) (8.33A) | 300W (G-97626) (12.5A) | 600W (G-97627) (8.33A) Per Circuit |
|------------|--------------------------|-------------------------|-----------------------|---------------------------|------------------------|---------------------------|---------------------------|---------------------------|---------------------------------------|
| 20 AWG | 20FT | 10FT | 6FT | 6FT | 5FT | 4FT | 3FT | 2FT | 3FT |
| 18 AWG | 21FT | 15FT | 9FT | 9FT | 8FT | 6FT | 5FT | 3FT | 5FT |
| 16 AWG | 49FT | 24FT | 15FT | 15FT | 12FT | 10FT | 7FT | 5FT | 8FT |
| 14 AWG | 80FT | 40FT | 25FT | 24FT | 20FT | 16FT | 12FT | 8FT | 13FT |
| 12 AWG | 124FT | 62FT | 39FT | 37FT | 31FT | 25FT | 19FT | 13FT | 20FT |
| 10 AWG | 196FT | 98FT | 61FT | 59FT | 50FT | 40FT | 30FT | 20FT | 30FT |

Dimmer List

| Brand | Dimmer Model | Dimmer Categories |
|--------------|-------------------|-------------------|
| LUTRON | SELV-300P | TRIAC DIMMER |
| | DVELV-300P-WH | |
| | PD-5NE | |
| | MRF2-6ELV-120 | |
| | MA-PRO(Maestro) | |
| | ST-PRO-N(Sunnata) | |
| | MAELV-600-WH | |
| | NTELV-600-WH | |
| | DVRP-253P | |
| | DVRF-5NE | |
| | DVRF-6L | |
| | MRF2-600M | |
| | MRF2S-6CL | |
| | MRF2S-6CL-WH | |
| | MRF2-6ND-120 | |
| | MRF2-6CL | |
| | PD-6WCL-WH | |
| | PD-10NXD | |
| MALV-600 | | |
| MACL-153M-WH | | |

| Brand | Dimmer Model | Dimmer Categories |
|------------|--------------------|-------------------|
| LUTRON | NTLV-600 | TRIAC DIMMER |
| | CTCL-150-WH | |
| | CTCL-153PDH-WH | |
| | NTCL-250 | |
| | DVCL-253P-WH | |
| | DVDCL-153P | |
| | DVCL-153P | |
| | AYCL-153P | |
| | STCL-153M(Sunnata) | |
| | MSCL-OP153M | |
| | SLV-600P-LA | (0-10V) DIMMER |
| | DVLV-600P-GR | |
| | S600P | |
| | DV-600P | |
| | CT-103P | |
| | MS-Z101-WH | |
| | DVSTV-WH(0-10) | |
| | RMJS-8T-DV-B | |
| DVTV-WH | TRIAC DIMMER | |
| DVELV-303P | | |
| MACL-LFQ | | |

| Brand | Dimmer Model | Dimmer Categories |
|-----------|---------------|-------------------|
| LIVITEN | 6672-1LW | TRIAC DIMMER |
| | 6674-POW | |
| | 6672-3PW | |
| | 6683 | |
| | 6681 | |
| | DDE06-BLZ | |
| | DDMX1-BLZ | |
| | DZ6HD | |
| | DH6HD (D26HD) | |
| | DSL06-1LZ | |
| | RNL06-10Z | |
| | PNL06-TW | |
| | RDL06-TW | |
| | IPL06-10Z | |
| | IPE04-1LZ | |
| | VPI06 | |
| TBL03-10W | | |

| Brand | Dimmer Model | Dimmer Categories |
|---------|--------------|-------------------|
| EATON | DLC03P | TRIAC DIMMER |
| | DUL06P-C2 | (0-10V) DIMMER |
| | DF 10P-C1 | |
| LEGRAND | ADTP703TUW4 | TRIAC DIMMER |
| | RHL153P | |
| | LSCL450 | |