

# Altair 3.5 Single Head Instruction sheet

<b>DRIVER</b>	Model	<b>G-98741 &amp; G-98751</b>
	Input	120-277 V AC 50/60Hz
	Output Voltage	33-38V DC
	Output Current	203MA/480MA
	Lamp Life	50000 Hours
	Operating Temperature	-20°C to +40°C
Dimming	Triac dimming (120V AC input only) 0-10V dimming (120-277V AC input)	
<b>LIGHT</b>	Energy used	14W(IC Rated) / 20W(NON-IC)
	Luminous Flux	14W(1400LM) / 20W(1850LM)
	Equivalent to:	200W Halogen
	CCT Options	2700K-3000K-3500K-4000K-5000K
	Beam Angle	40°/head
	CRI	RA>90
	Approved Location	Wet Location
<b>MOUNTING</b>	Wire Space	6.2 Cubic inch
	OD	4.13"x4.13"(105mm x 105mm)
	Thickness	4.25"(108mm)
	Cut Out	3.75"x3.75"(95mm x 95mm)

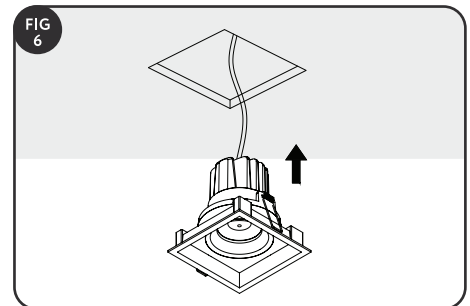
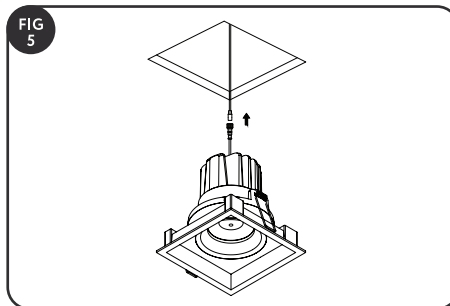
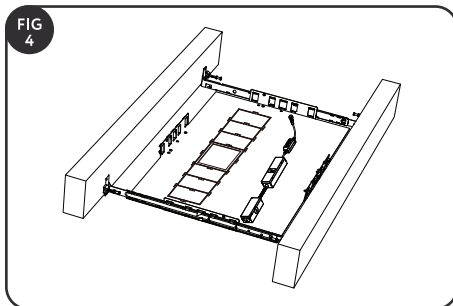
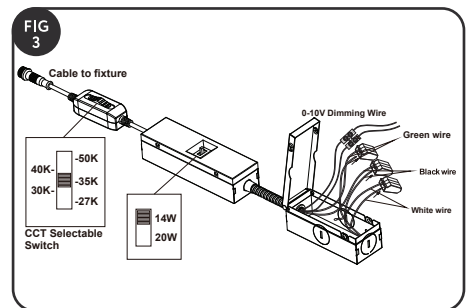
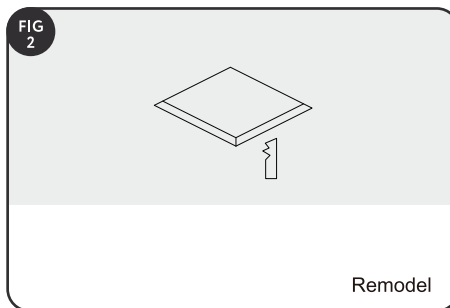
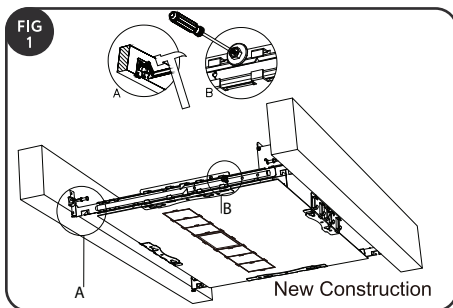
Brand	Family	Model	Load (W)	14W(IC Rated)	20W(NON-IC)
<b>LUTRON</b>	Skylark Contour	LECL-153P	150W	10	7
		CTCL-150H	150W	10	7
		LGCL-153PLH	150W	10	7
		CTCL-153P	150W	10	7
		SCL-153P	150W	10	7
		S-600P	600W	14	9
	Caseta	PD-6WCL	600W	14	9
		PD-5NE	150W	10	7
		PD-10NXD	250W	14	9
		DIVA	DVCL-153P	150W	10
Toggler		TGCL-153P	150W	10	7
	Ariadni	AYCL-153P	150W	10	7
	Maestro	MACL-153M	150W	10	7
<b>LEVITON</b>	Illuminatech	IPL06	150W	10	7
	SureSlide	6672	150W	10	7
<b>EATON</b>	Smart Dimmer	AAL06	300W	14	9

**IMPORTANT** Read all instructions before installing the plate. Retain for future reference.

**SAFETY:**

1. This fixture must be wired in accordance with local electrical and ordinances.
2. To prevent wiring damage or abrasion, do not expose wiring to edges of sheet metal or other sharp objects.
3. All work should be done by a qualified electrician.

**WARNING:** Make sure the power is OFF from the electrical panel before starting installation or attempting any maintenance.



**Hole Cut Size** **G-98741 & G-98751**  
3.75" x 3.75" (95mm x 95mm)

# LED Multiple Installation Instructions

## Installation - ALL FIXTURES MUST BE INSTALLED IN ACCORDANCE WITH CURRENT APPLICABLE ELECTRICAL CODES.

1. Measure distance from walls and mark position of housing to be installed between joists.
2. Extend the hanger bars and level to the lower edge of joists. Hammer pre-installed nails into all the joists (both sides) (FIG.1).
3. Carefully open a hole in accordance to the cut-hole dimensions with keyhole saw (refer to the provided cut hole size) (FIG.2).
4. Provide electrical service according to your local electrical code for a suitable junction box. Supply Wire insulation must be rated for at least 90° C.
5. Remove the junction box cover. Remove the appropriate knock-out(s) to accommodate the type of electrical service to be used.
6. Insert electrical supply cable through knock-out in the junction box. Wire junction box using supplied quick connect push-in terminals. Connect the green ground wire of the cable to the green wire on the junction box. Connect white wire of cable to White wire of junction box. Connect Black wire of cable to black wire of junction box. Make certain there are no exposed strands of wire and place all wiring and connections back in the junction box and replace the cover (FIG.3).
7. If using a 0-10V dimmer, please connect the 0-10V dimmer with the driver. Connecting the purple wire to Purple wire connecting the Gray (Pink) wire to Gray (Pink)wire.
8. Firmly secure the junction box to the mounting plate (FIG.4).
9. Connect the fixture to the junction box by inserting and twisting the DC male/female connectors (FIG.5).
10. Push the pressure tabs upward towards the LED fixture. Push the fixture through the hole until the trim is flush with the ceiling. Pressure tabs will retract to the hole in place (FIG.6).
11. Once assembly is complete, turn on power to confirm the fixture is working properly.

### Instruction for Changing the lens of ALTAIR Series Gimbal Downlight (Remark The default beam angle is 40° per head. Other beam angle lens are not included.)

1. Twist the LED module anticlockwise and take the trim part and LED module apart.
2. Taking out the plastic reflector and default lens.
3. Installing the silicone gasket into the slot well, then install your target beam angle lens back to module.
4. Put the plastic reflector onto the lens.
5. Twist the LED module clockwise and make sure the lens is well fixed.

