

INSTRUCTION SHEET J-BOX MUD PLATE

IMPORTANT: Read all instructions before installing LED downlight. Retain the instructions for future reference.

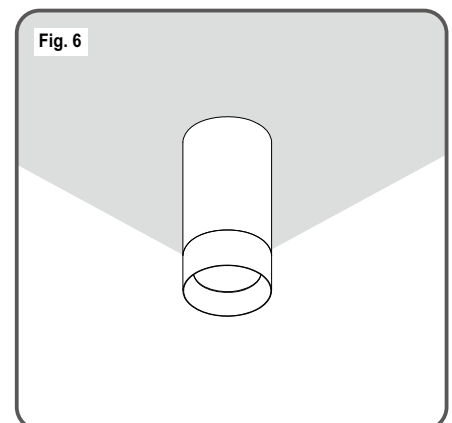
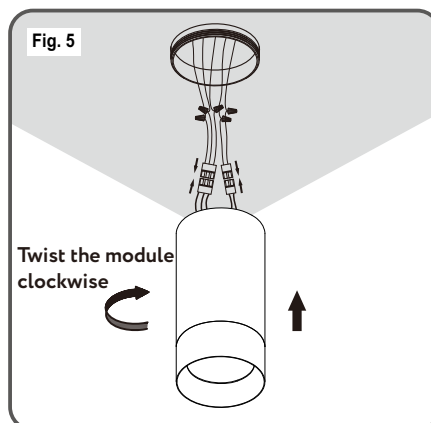
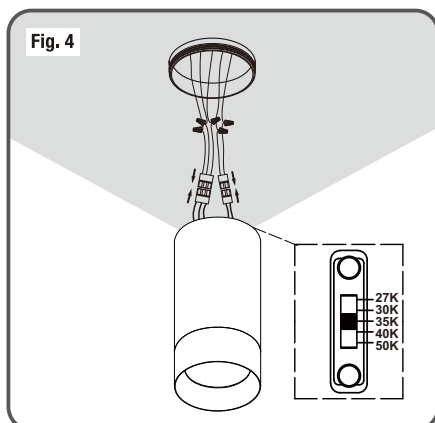
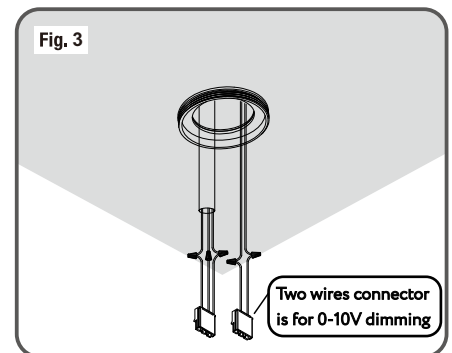
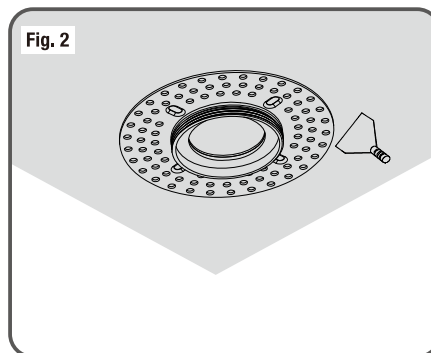
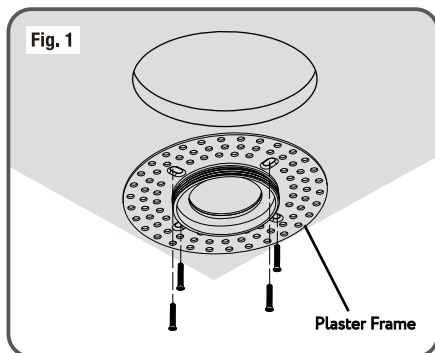
SAFETY: This fixture must be wired in accordance with local electrical codes and ordinances. Carefully observe grounding procedure under installation section. All work should be done by a qualified electrician.

WARNING:

1. Make certain power is OFF from the electrical panel before starting the installation or attempting any maintenance.
2. Do not mix different style fixtures on the same dimmer, not all fixtures will show the same correlated color temperature at the same dimming level.
3. This fixture is suitable for Damp or Dry location indoor.

INSTALLATION STEPS:

1. Turn off the power from the electrical panel before starting installation.
2. Locate a suitable position to place the fixture and open a hole in accordance to the cut-hole dimensions. (Cutout template included).
3. Align the inside edge of the zero clearance plaster frame to the drywall hole and screw in place. (Fig.1)
4. Plaster over the plaster frame, be careful not to fill past raised rim. (Fig.2)
5. Run the electrical wire from the switch(power supply) through the mounting hole-use NMD90 Romex or BX cable.
6. Connect power supply wires to the power feed connectors with wire nuts. Make certain there are no exposed strands of wire. (Fig.3)
 - A. Connect green ground wire of power supply to green wire of quick connector.
 - B. Connect the white wire of power supply to the white wire of quick connector.
 - C. Connect the black wire of power supply to the black wire of quick connector.
 If using 0-10V dimmer, connect dimming wire to the two wire connector by wire nuts.
 - D. Connect the purple wire (Dim+) to the purple wire (Dim+), Connect the pink wire (Dim-) to the pink wire (Dim-).
7. Choose the required correlated color temperature (CCT) by the CCT switch on the back of the fixture and plug-in the quick connectors to the cylinder module connectors accordingly. (Fig. 4)
8. Twist the cylinder module clockwise onto the plaster frame. Make sure the cylinder module attach the ceiling flat. (Fig.5)
9. Once installation is complete, turn on the power to confirm fixtures are working properly.



Hole Cut Size / Taille Trou Découpé
 ø2" (51mm)