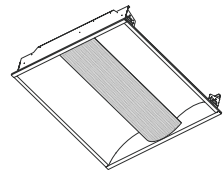


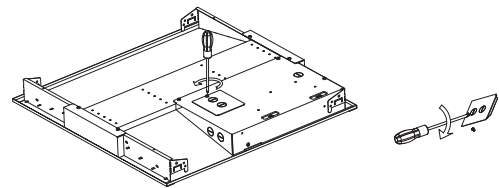
Led Troffer G-98001-EM / G-98003-EM

Installation Manual



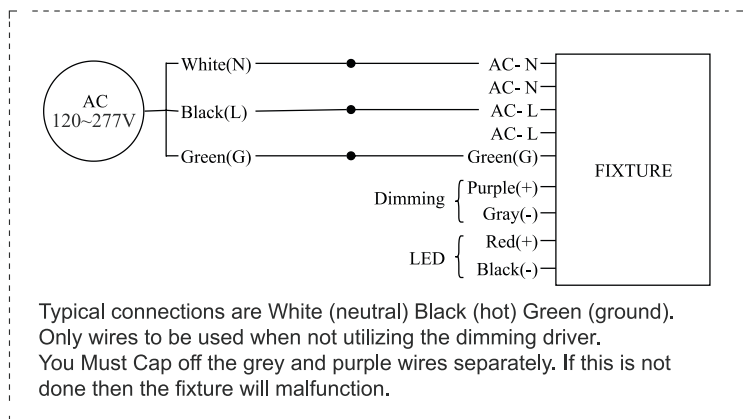
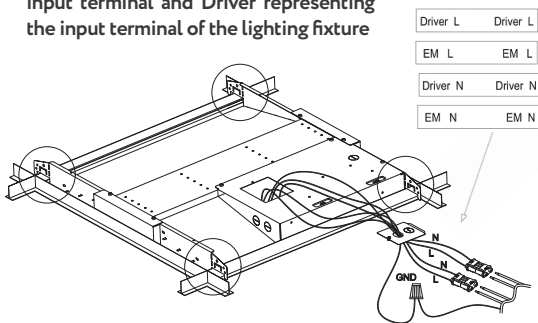
- 1 Disconnect the power before installation. Exploded view of completed assembly with component call out. 1, 2, 3, etc.

- 2 Loosen the screw in the backside channel board with screwdriver, use a screwdriver to enter in the rectangular groove on knock out, pull in the right or left side direction until the knock out comes off enabling you to proceed with the wiring connections.



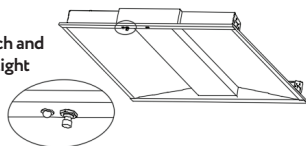
- 3 Through the conduit, the power feed is connected to the wiring terminal; make sure the connection is solid and reliable.

There are labels on the wires, with EM representing the emergency power input terminal and Driver representing the input terminal of the lighting fixture



Wiring diagram

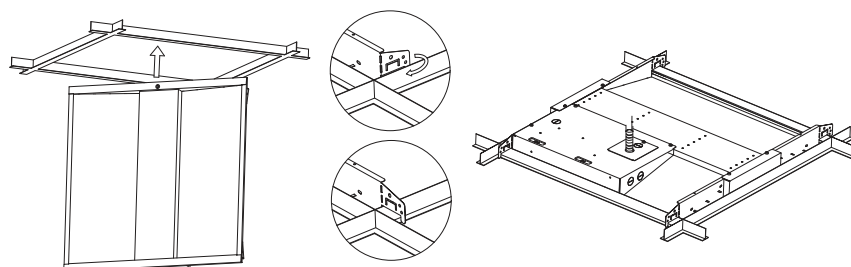
Test Switch and indicator light



Emergency operation: When the AC power goes out, The emergency driver detects the AC power outage and automatically switch to the working emergency mode. The green LED light off. When the AC power is restored, the emergency driver backs to AC power working and starts re-charging, the green LED light on. The emergency driver is charging in a standby mode, The green LED light on to indicate that it is charging.

- 4 After the power is correctly connected, install the screw back to its channel board with screwdriver.

- 5 Put the LED fixture through the hole and put it on the T-shaped keel, then rotate the earthquake clips on the four fixture corners, as shown in the position in the figure, about 90°, and hang the fixture above the keel. This will protect the fixture from vibration.



- 6 Push Sensor (order separately) into the 12V DC power jack if needed.

- 7 Not IC rated, do not cover fixture. Operating temp: -4°F to 104°F