

Star 2"

Round Flushed Slim

Product Information

Description	S2/5W/R/LED/5CCT
Color temp	27, 30, 35, 41, 50k
Output lumens	300
Beam angle	100°
Input volts	120/277V
Wattage	5W
CRI	90+
mA	110mA
Output volts	33-38V
Dimmable	Triac or 0-10
Cut out	2.08"
OD	2.36"
Height	0.98"
Packed	18



Color Covers

Black

G-97920
T2/RD/CV/BK



Brushed Nickel

G-97921
T2/RD/CV/BN



Bronze

G-97922
T2/RD/CV/BZ



Brushed Brass

G-97923
T2/RD/CV/BB



Red

G-23720
T2/RD/CV/RD



Orange

G-23721
T2/RD/CV/OG



Yellow

G-23722
T2/RD/CV/YL



Green

G-23723
T2/RD/CV/GN



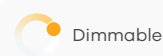
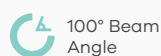
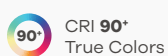
Blue

G-23724
T2/RD/CV/BLU



Rose Blush

G-23725
T2/R/COVER/ROSE



Accessories



Emergency LED Driver

15W G-48410
25W G-95525
30W G-48411
60W G-95521



Multi Light Driver

5W G-95823



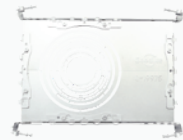
Extension Cords

5ft G-20247
10ft G-20248
20ft G-19822
30ft G-19823



120-277V Drivers (0-10 Dimming)

G-48306 Dim 0-10



New Construction Plate

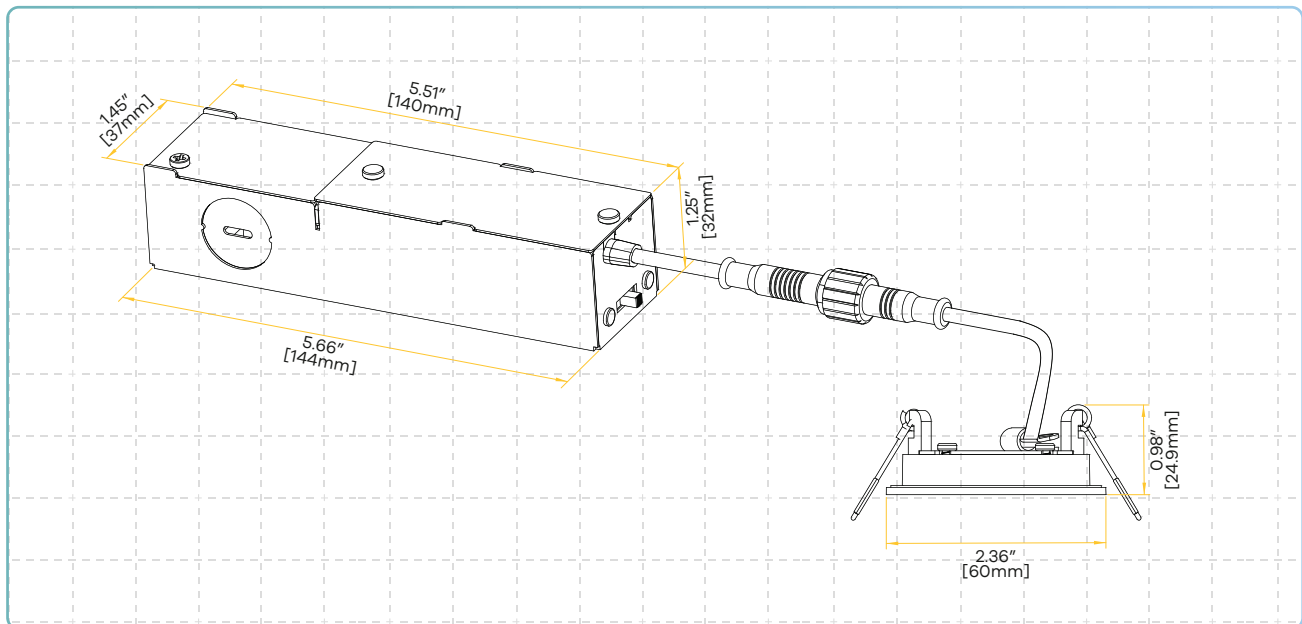
G-19975 0 Punch Out



New Construction Plate

G-19979 0 Punch Out

Dimensions



Dimmer List

Brand	Load	Model
LUTRON	150W	LECL-153P
		CTCL-150H
		LGCL-153PLH
		CTCL-153P
		SCL-153P
		PD-6WCL
		PD-5NE
		DVCL-153P
		TGCL-153P
		AYCL-153P
		MSCL-OP153M
		STCL-153M
		DVRF-6L
		250W
	DVCL253	
	DVRP-253	
	MRF2S-6CL	
	300W	DVELV-300P
		SELVB-300P
	600W	MACL-153M
		MRF2-600M
		DVLV603
		MA-600

Brand	Load	Model
LEVITON	150W	IPL06
		6672
		6674
		RDL06-10Z
		RNL06-10Z
	300W	DSL06-1LZ
		D26HD
PASS & SEYMOUR	250W	LSCL450W
		WSCL450W
EATON	300W	DDE06-BLZ
		AAL06

0-10V Dimming

Brand	Model
LUTRON	DVSTV
	DVSCTV
LEVITON	IP710-DLZ
	DS710-10Z
LEGRAND	RH4FBL3P
COOPER	SF10P